



SW OVAL

MONOPARETE OVALE INOX
OVAL SINGLE WALL INOX

SISTEMA MONOPARETE OVALE

Il sistema **monoparete OVALE** è composto da elementi componibili rigidi con finitura lucida BA, realizzati in acciaio inox austenitico AISI 316L BA di spessore minimo 0,4 mm (standard 0,5 mm) conformi agli standard previsti dalla marcatura CE secondo la normativa EN 1856-2. Il sistema ha una conformazione ovale che permette di utilizzare al meglio cavedi o vani tecnici, favorendo il risanamento nei casi in cui il passaggio della sezione circolare sia ostacolato. Gli elementi modulari hanno innesto ovoidale a bicchiere maschio-femmina calibrato con guarnizione di tenuta a triplice labbro, conforme alla normativa europea EN 14241-1, e giunzione meccanica con fascetta di sicurezza.

Riferimento normativo e designazione

Marcatura prodotto secondo normativa europea CE 0476 EN 1856-2.

T160 P1 W V2 L50050 O 70 con guarnizione
 T600 N1 D V2 L50050 G 600M senza guarnizione
 T600 N1 D V2 L50050 G senza guarnizione
 T600 N1 D Vm L20050 G 600M senza guarnizione
 T600 N1 D Vm L20050 G senza guarnizione

Utilizzo

Condotti, canali da fumo, camini metallici asserviti a generatori di calore di tipo atmosferico, pressurizzato, ad aria soffiata, tradizionali o a condensazione, cappe cucina per uso industriale o domestico, stufe a legna, caminetti, stufe a pellet.

Applicazione

Installazione interna.

Diametri disponibili - mm

110 - 120 - 130 - 140 - 150 - 160 - 180 - 200 - 220 - 230 - 250 - 270 - 300
 Altri diametri a richiesta

SINGLE WALL OVAL SYSTEM

Single wall OVAL system is composed by modular elements with BA surface finish, made of austenitic stainless steel AISI 316L BA minimum thickness of 0.4 mm (standard 0.5 mm), according to the standards set out by the European CE mark, EN 1856-2. The system has an oval shape that allows the best use of technical shaft or technical compartments, favoring remediation where the passage of the circular section is hindered. The modular elements have oval calibrate male-female junction, with triple seal lip gasket, conforming to European standard EN 14241-1, and mechanical connection with locking clamp.

Normative references and designation

Product marking according to the European standard CE 0476 EN 1856-2.

*T160 P1 W V2 L50050 O 70 with seal
 T600 N1 D V2 L50050 G 600M without seal
 T600 N1 D V2 L50050 G without seal
 T600 N1 D Vm L20050 G 600M without seal
 T600 N1 D Vm L20050 G without seal*

Utilizations

Ducts, flue pipes, metal chimneys, air conduction subservient to atmospheric heat generators, pressurized, air blown, traditional or condensing, industrial or domestic kitchen hoods, wood stoves, fireplaces or pellet stoves.

Application

Internal installation.

Available diameters - mm

*110 - 120 - 130 - 140 - 150 - 160 - 180 - 200 - 220 - 230 - 250 - 270 - 300
 Other diameters on request*

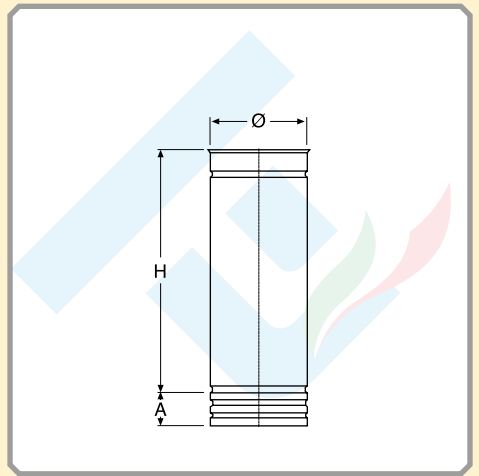
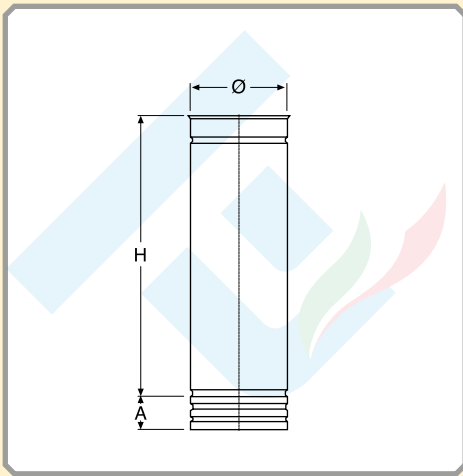
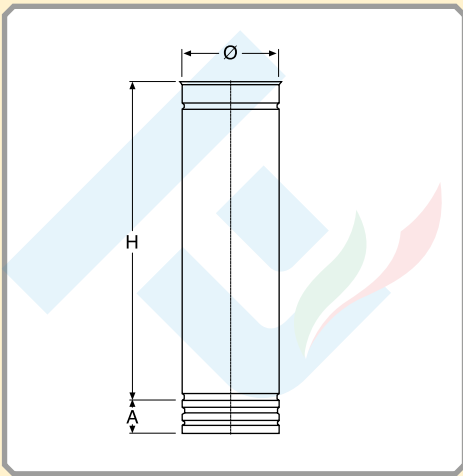


MONOPARETE OVALE - OVAL SINGLE WALL AISI 316L

370400100...

370400050...

370400025...



Elemento lineare da 1 m.

Elemento lineare da 0,50 m.

Elemento lineare da 0,25 m.

Pipe 1 m.

Pipe 0.50 m.

Pipe 0.25 m.

Ø	COD.	A	H
110	370400100110	45	955
120	370400100120	45	955
130	370400100130	45	955
140	370400100140	45	955
150	370400100150	45	955
160	370400100160	45	955
180	370400100180	45	955
200	370400100200	45	955
220	370400100220	45	955
230	370400100230	45	955
240	370400100240	45	955
250	370400100250	45	955
270	370400100270	45	955
300	370400100300	45	955

Ø	COD.	A	H
110	370400050110	45	655
120	370400050120	45	655
130	370400050130	45	655
140	370400050140	45	655
150	370400050150	45	655
160	370400050160	45	655
180	370400050180	45	655
200	370400050200	45	655
220	370400050220	45	655
230	370400050230	45	655
240	370400050240	45	655
250	370400050250	45	655
270	370400050270	45	655
300	370400050300	45	655

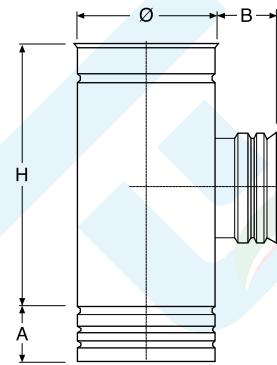
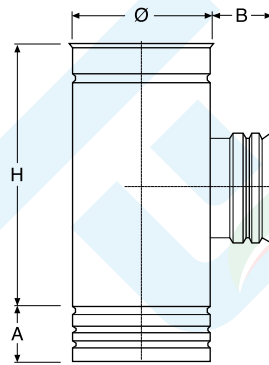
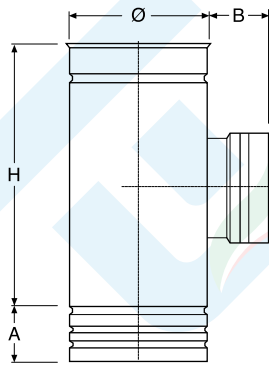
Ø	COD.	A	H
110	370400025110	45	455
120	370400025120	45	455
130	370400025130	45	455
140	370400025140	45	455
150	370400025150	45	455
160	370400025160	45	455
180	370400025180	45	455
200	370400025200	45	455
220	370400025220	45	455
230	370400025230	45	455
240	370400025240	45	455
250	370400025250	45	455
270	370400025270	45	455
300	370400025300	45	455

SW OVAL

370404090...

370404090F...

370404...



Raccordo a T 90° maschio.

Raccordo a T 90° femmina.

Raccordo a "T" 90° con uscita a richiesta.

90° tee.

90° tee.

90° tee with outlet on request.

Ø	COD.	A	B	H
110	370404090110	45	65	255
120	370404090120	45	65	255
130	370404090130	45	65	255
140	370404090140	45	65	255
150	370404090150	45	65	255
160	370404090160	45	65	255
180	370404090180	45	65	255
200	370404090200	45	65	255
220	370404090220	45	65	255
230	370404090230	45	65	255
240	370404090240	45	65	255
250	370404090250	45	65	255
270	370404090270	45	65	255
300	370404090300	45	65	255

Ø	COD.	A	B	H
110	370404090F110	45	65	255
120	370404090F120	45	65	255
130	370404090F130	45	65	255
140	370404090F140	45	65	255
150	370404090F150	45	65	255
160	370404090F160	45	65	255
180	370404090F180	45	65	255
200	370404090F200	45	65	255
220	370404090F220	45	65	255
230	370404090F230	45	65	255
240	370404090F240	45	65	255
250	370404090F250	45	65	255
270	370404090F270	45	65	255
300	370404090F300	45	65	255

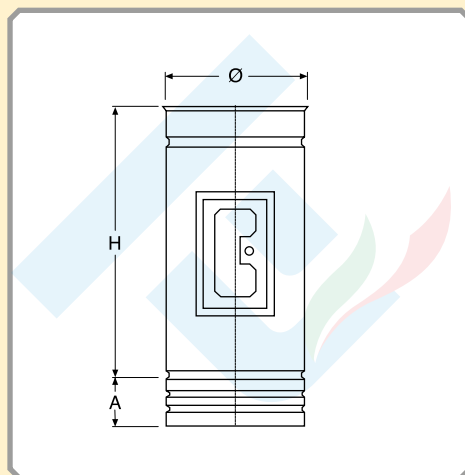
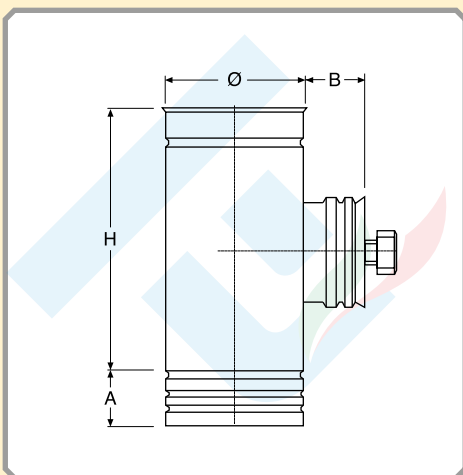
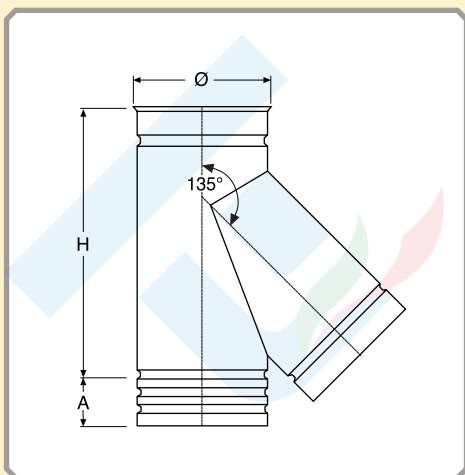
Ø	COD.	A	B	H
110	370404110	45	65	255
120	370404120	45	65	255
130	370404 130	45	65	255
140	370404140	45	65	255
150	370404150	45	65	255
160	370404160	45	65	255
180	370404180	45	65	255
200	370404200	45	65	255
220	370404220	45	65	255
230	370404230	45	65	255
240	370404240	45	65	255
250	370404250	45	65	255
270	370404270	45	65	255
300	370404300	45	65	255

MONOPARETE OVALE - OVAL SINGLE WALL AISI 316L

3704041135...

370405...

370407...



Raccordo a "T" 45°.

Elemento con portello tondo per ispezione.

Elemento per raccolta cenere con ispezione rettangolare.

45° tee.

Element with round test point.

Ash collection element with rectangular door.

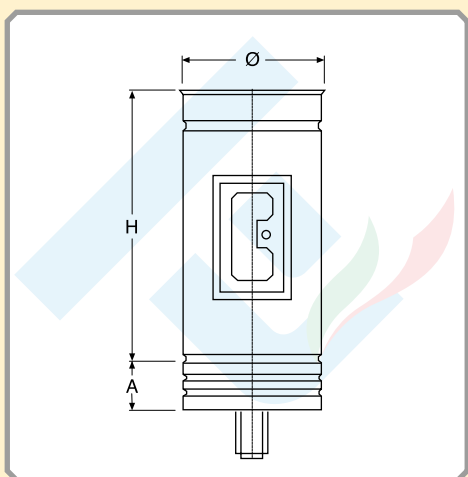
Ø	COD.	A	H
110	3704041135110	45	455
120	3704041135120	45	455
130	3704041135130	45	455
140	3704041135140	45	455
150	3704041135150	45	455
160	3704041135160	45	455
180	3704041135180	45	455
200	3704041135200	45	455
220	3704041135220	45	455
230	3704041135230	45	455
240	3704041135240	45	455
250	3704041135250	45	455
270	3704041135270	45	455
300	3704041135300	45	455

Ø	COD.	H
110	370405110	300
120	370405120	300
130	370405130	300
140	370405140	300
150	370405150	300
160	370405160	300
180	370405180	300
200	370405200	300
220	370405220	300
230	370405230	300
240	370405240	300
250	370405250	300
270	370405270	300
300	370405300	300

Ø	COD.	A	H
110	370407110	45	455
120	370407120	45	455
130	370407130	45	455
140	370407140	45	455
150	370407150	45	455
160	370407160	45	455
180	370407180	45	455
200	370407200	45	455
220	370407220	45	455
230	370407230	45	455
240	370407240	45	455
250	370407250	45	455
270	370407270	45	455
300	370407300	45	455

SW OVAL

370407B...

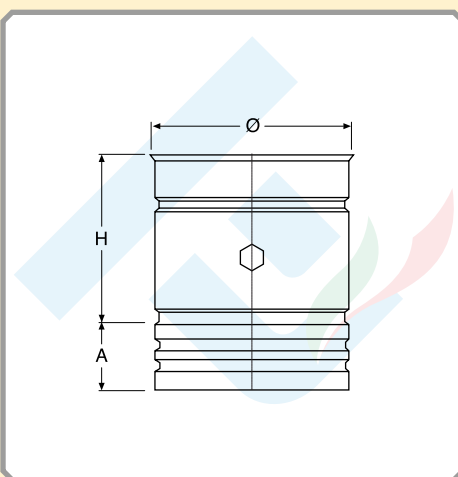


Elemento per raccolta cenere con ispezione rettangolare con spurgo saldato.

Ash collection element with rectangular door.

Ø	COD.	A	H
110	370407B110	45	455
120	370407B120	45	455
130	370407B130	45	455
140	370407B140	45	455
150	370407B150	45	455
160	370407B160	45	455
180	370407B180	45	455
200	370407B200	45	455
220	370407B220	45	455
230	370407B230	45	455
240	370407B240	45	455
250	370407B250	45	455
270	370407B270	45	455
300	370407B300	45	455

370408...

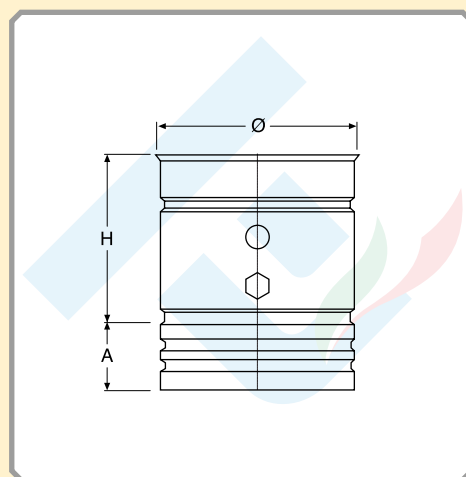


Elemento per prelievo fumi.

Fumes test section with threaded sleeve.

Ø	COD.	A	H
110	370408110	45	205
120	370408120	45	205
130	370408130	45	205
140	370408140	45	205
150	370408150	45	205
160	370408160	45	205
180	370408180	45	205
200	370408200	45	205
220	370408220	45	205
230	370408230	45	205
240	370408230	45	205
250	370408250	45	205
270	370408270	45	205
300	370408300	45	205

370408B...



Elemento per prelievo fumi e temperatura.

Element for smoke and temperature.

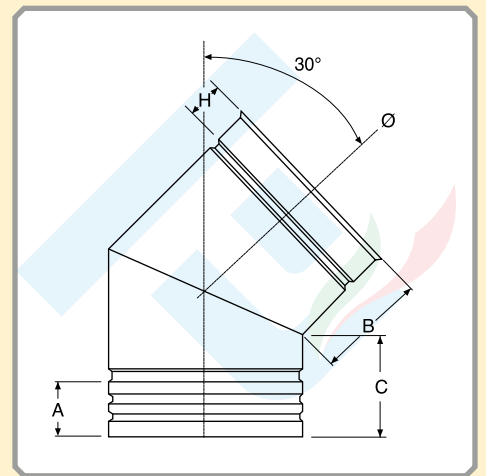
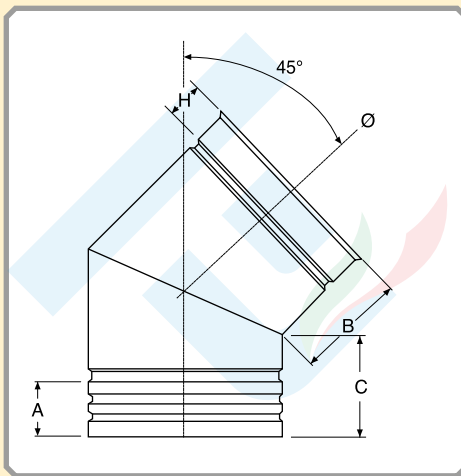
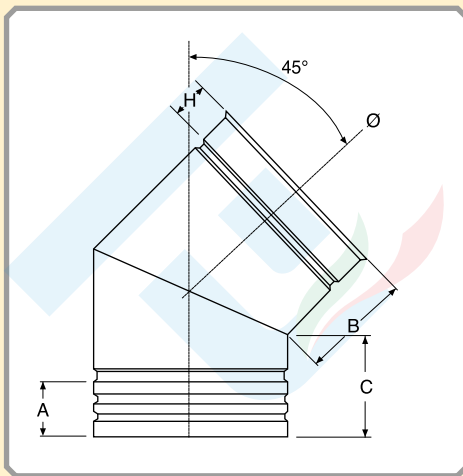
Ø	COD.	A	H
110	370408B110	45	205
120	370408B120	45	205
130	370408B130	45	205
140	370408B140	45	205
150	370408B150	45	205
160	370408B160	45	205
180	370408B180	45	205
200	370408B200	45	205
220	370408B220	45	205
230	370408B230	45	205
240	370408B230	45	205
250	370408B250	45	205
270	370408B270	45	205
300	370408B300	45	205

MONOPARETE OVALE - OVAL SINGLE WALL AISI 316L

370402A045...

370402B045...

370402A030...



Curva a 45° frontale.

Curva a 45° in costa.

Curva a 30° frontale.

Frontal elbow 45°.

Angled elbow 45°.

Frontal elbow 30°.

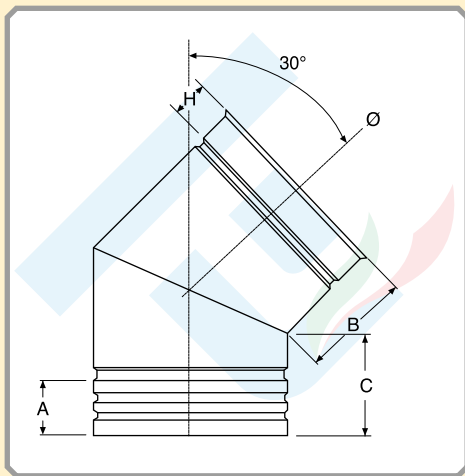
Ø	COD.	A	B	C	H
110	370402A045110	45	90	85	45
120	370402A045120	45	90	85	45
130	370402A045130	45	90	85	45
140	370402A045140	45	90	85	45
150	370402A045150	45	90	85	45
160	370402A045160	45	90	85	45
180	370402A045180	45	90	85	45
200	370402A045200	45	90	85	45
220	370402A045220	45	90	85	45
230	370402A045230	45	90	85	45
240	370402A045240	45	90	85	45
250	370402A045250	45	90	85	45
270	370402A045270	45	90	85	45
300	370402A045300	45	90	85	45

Ø	COD.	A	B	C	H
110	370402B045110	45	90	85	45
120	370402B045120	45	90	85	45
130	370402B045130	45	90	85	45
140	370402B045140	45	90	85	45
150	370402B045150	45	90	85	45
160	370402B045160	45	90	85	45
180	370402B045180	45	90	85	45
200	370402B045200	45	90	85	45
220	370402B045220	45	90	85	45
230	370402B045230	45	90	85	45
240	370402B045240	45	90	85	45
250	370402B045250	45	90	85	45
270	370402B045270	45	90	85	45
300	370402B045300	45	90	85	45

Ø	COD.	A	B	C	H
110	370402A030110	45	90	85	45
120	370402A030120	45	90	85	45
130	370402A030130	45	90	85	45
140	370402A030140	45	90	85	45
150	370402A030150	45	90	85	45
160	370402A030160	45	90	85	45
180	370402A030180	45	90	85	45
200	370402A030200	45	90	85	45
220	370402A030220	45	90	85	45
230	370402A030230	45	90	85	45
240	370402A030240	45	90	85	45
250	370402A030250	45	90	85	45
270	370402A030270	45	90	85	45
300	370402A030300	45	90	85	45

SW OVAL

370402B030...

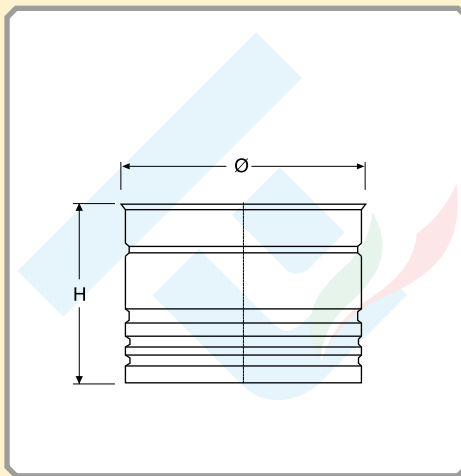


Curva a 30° in costa.

Angled elbow 30°.

Ø	COD.	A	B	C	H
110	370402B030110	45	90	85	45
120	370402B030120	45	90	85	45
130	370402B030130	45	90	85	45
140	370402B030140	45	90	85	45
150	370402B030150	45	90	85	45
160	370402B030160	45	90	85	45
180	370402B030180	45	90	85	45
200	370402B030200	45	90	85	45
220	370402B030220	45	90	85	45
230	370402B030230	45	90	85	45
240	370402B030240	45	90	85	45
250	370402B030250	45	90	85	45
270	370402B030270	45	90	85	45
300	370402B030300	45	90	85	45

370422...

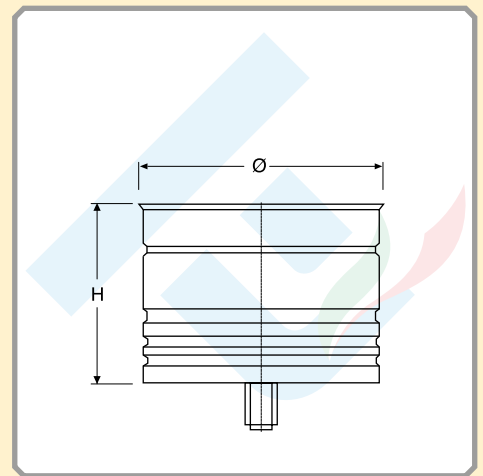


Tappo cieco.

Tee cap.

Ø	COD.	H
110	370422110	100
120	370422120	100
130	370422130	100
140	370422140	100
150	370422150	100
160	370422160	100
180	370422180	100
200	370422200	100
220	370422220	100
230	370422230	100
240	370422240	100
250	370422250	100
270	370422270	100
300	370422300	100

370420...



Scarico condensa.

Tee cap with condense drain.

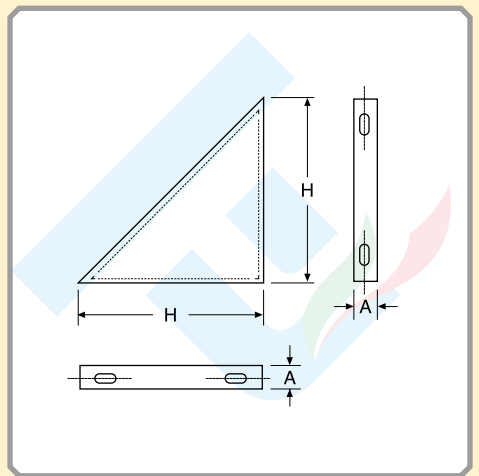
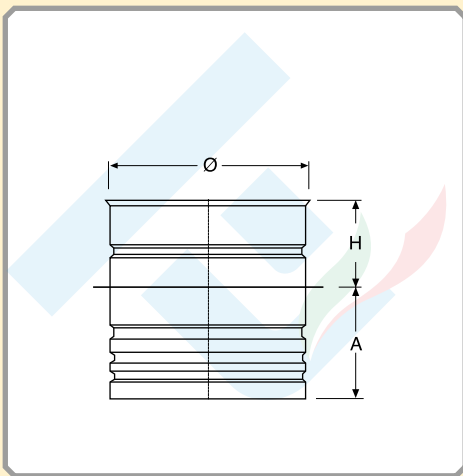
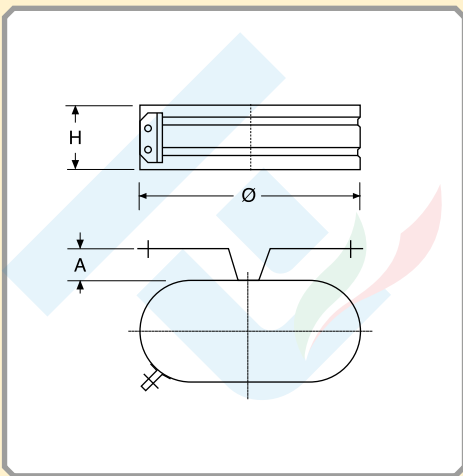
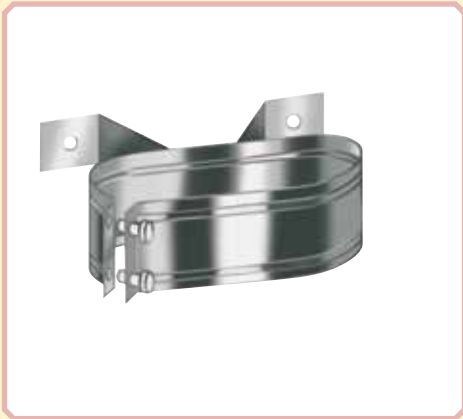
Ø	COD.	H
110	370420110	100
120	370420120	100
130	370420130	100
140	370420140	100
150	370420150	100
160	370420160	100
180	370420180	100
200	370420200	100
220	370420220	100
230	370420230	100
240	370420240	100
250	370420250	100
270	370420270	100
300	370420300	100

MONOPARETE OVALE - OVAL SINGLE WALL AISI 316L

370413...

370416...

370417...



Collare a muro.

Piastra intermedia.

Coppia di supporti per piastra.

Wall bracket.

Intermediate anchor plate.

Cantilever brackets (pair).

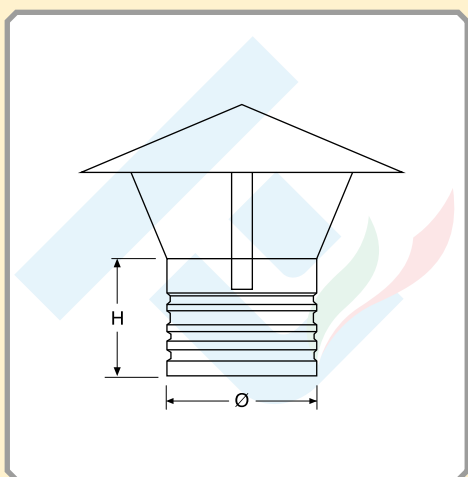
Ø	COD.	A	H
110	370413110	50	93
120	370413120	50	93
130	370413130	50	93
140	370413140	50	93
150	370413150	50	93
160	370413160	50	93
180	370413180	50	93
200	370413200	50	93
220	370413220	50	93
230	370413230	50	93
240	370413240	50	93
250	370413250	50	93
270	370413270	50	93
300	370413300	50	93

Ø	COD.	A	H
110	370416110	80	80
120	370416120	80	80
130	370416130	80	80
140	370416140	80	80
150	370416150	80	80
160	370416160	80	80
180	370416180	80	80
200	370416200	80	80
220	370416220	80	80
230	370416230	80	80
240	370416240	80	80
250	370416250	80	80
270	370416270	80	80
300	370416300	80	80

Ø	COD.	A	H
110	370417110	30	150
120	370417120	30	150
130	370417130	30	150
140	370417140	30	150
150	370417150	30	150
160	370417160	30	150
180	370417180	30	150
200	370417200	30	150
220	370417220	30	150
230	370417230	30	150
240	370417240	30	150
250	370417250	30	150
270	370417270	30	150
300	370417300	30	150

SW OVAL

370425B...

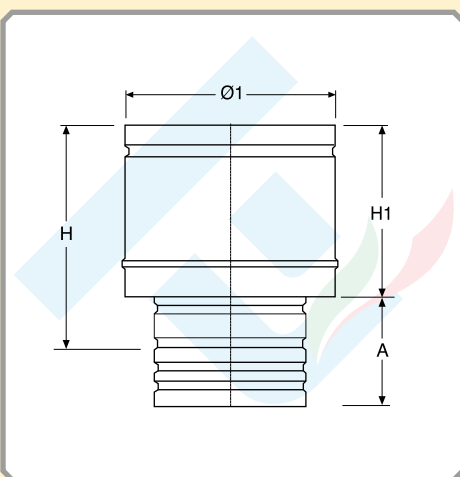


Cappello cinese.

Rain cap.

Ø	COD.	H
110	370425B110	150
120	370425B120	150
130	370425B130	150
140	370425B140	150
150	370425B150	150
160	370425B160	150
180	370425B180	150
200	370425B200	150
220	370425B220	150
230	370425B230	150
240	370425B240	150
250	370425B250	150
270	370425B270	150
300	370425B300	150

370426...

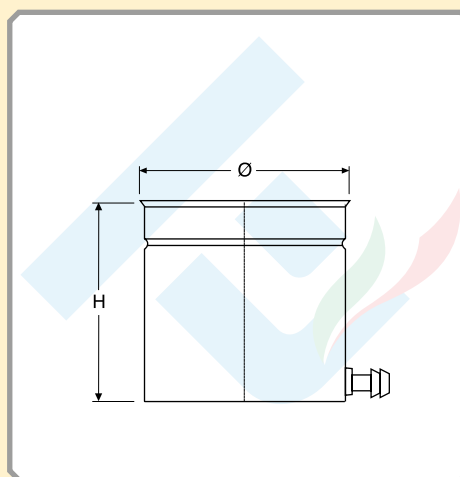


Terminale anti intemperie.

Anti downdraught terminal.

Ø	COD.	Ø1	A	H	H1
110	370426110	210	100	255	200
120	370426120	250	100	285	230
130	370426130	270	100	285	230
140	370426140	280	100	285	230
150	370426150	310	100	285	230
160	370426160	330	100	285	230
180	370426180	350	100	285	230
200	370426200	400	100	305	250
220	370426220	420	100	305	250
230	370426230	480	100	305	250
240	370426240	480	100	305	250
250	370426250	480	100	305	250
270	370426270	520	100	305	250
300	370426300	550	100	305	250

370418...



Piastra di partenza con scarico laterale.

Base plate with drain plug.

Ø	COD.	H
110	370418110	150
120	370418120	150
130	370418130	150
140	370418140	150
150	370418150	150
160	370418160	150
180	370418180	150
200	370418200	150
220	370418220	150
230	370418230	150
240	370418240	150
250	370418250	150
270	370418270	150
300	370418300	150

MONOPARETE OVALE - OVAL SINGLE WALL AISI 316L

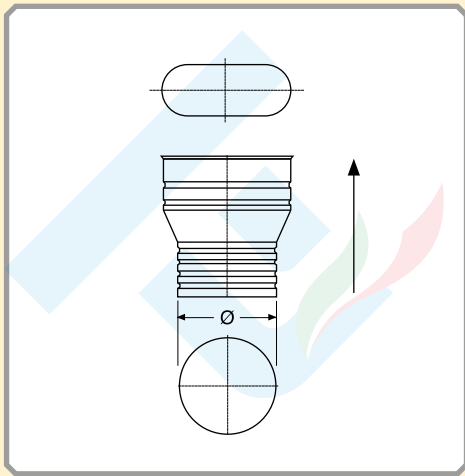
370414...



370415...

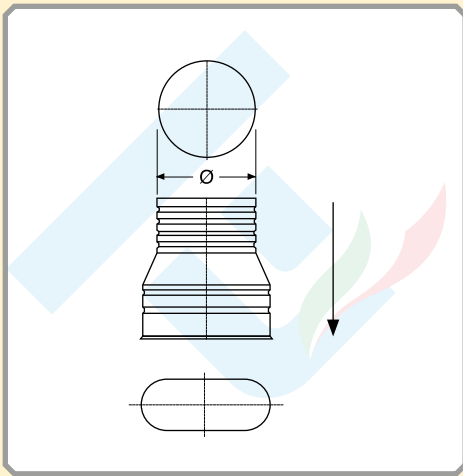


370419L...



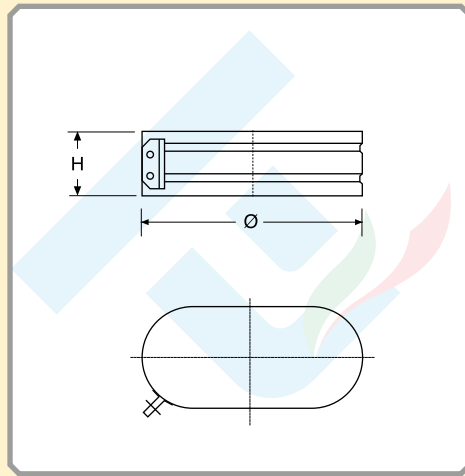
Raccordo tondo - ovale.

Connection round - oval.



Raccordo ovale - tondo.

Connection oval - round.



Fascetta di sicurezza.

Locking band.

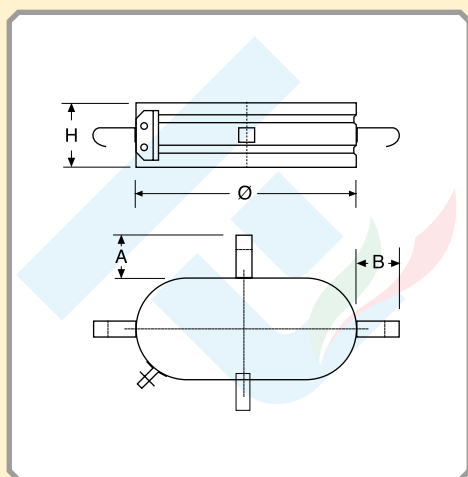
Ø	COD.
110	370414110
120	370414120
130	370414130
140	370414140
150	370414150
160	370414160
180	370414180
200	370414200
220	370414220
230	370414230
240	370414240
250	370414250
270	370414270
300	370414300

Ø	COD.
110	370415110
120	370415120
130	370415130
140	370415140
150	370415150
160	370415160
180	370415180
200	370415200
220	370415220
230	370415230
240	370415240
250	370415250
270	370415270
300	370415300

Ø	COD.	H
110	370419L110	93
120	370419L120	93
130	370419L130	93
140	370419L140	93
150	370419L150	93
160	370419L160	93
180	370419L180	93
200	370419L200	93
220	370419L220	93
230	370419L230	93
240	370419L240	93
250	370419L250	93
270	370419L270	93
300	370419L300	93

SW OVAL

370428...



Collare distanziatore.

Spacing bracket.

Ø	COD.	A	B	H
110	370428110	70	70	93
120	370428120	70	70	93
130	370428130	70	70	93
140	370428140	70	70	93
150	370428150	70	70	93
160	370428160	70	70	93
180	370428180	70	70	93
200	370428200	70	70	93
220	370428220	70	70	93
230	370428230	70	70	93
240	370428240	70	70	93
250	370428250	70	70	93
270	370428270	70	70	93
300	370428300	70	70	93

Ø partenza (mm)	MISURA SVILUPPO OTTENUTO (mm)						
110	70 x 140						
120	70 x 155	85 x 145					
130	70 x 170	100 x 155					
140	80 x 180	100 x 175	120 x 160				
150	100 x 185	120 x 170					
160	70 x 220	80 x 215	100 x 200	120 x 190	130 x 180	145 x 175	
180	80 x 240	105 x 230	120 x 220	140 x 210	150 x 200		
200	80 x 275	105 x 260	130 x 250	140 x 240	150 x 230	170 x 220	
220	90 x 310	90 x 300	110 x 290	125 x 280	140 x 270	155 x 260	170 x 250
230	175 x 265	200 x 250					
250	110 x 340	125 x 330	140 x 320	160 x 310	180 x 290	200 x 280	220 x 270
270	150 x 350	160 x 340	180 x 330	210 x 310	140 x 370		
300	160 x 380	180 x 370	200 x 360	210 x 350	230 x 340		