



CONDENS

**MONOPARETE POLIPROPILENE
*POLYPROPYLENE SINGLE WALL***

SISTEMA MONOPARETE PPs

Il sistema **monoparete PPs** è composto da elementi componibili rigidi e flessibili, realizzati in polipropilene arricchito bianco di spessore minimo 1 mm, conformi agli standard previsti dalla marcatura CE secondo la normativa EN 14471. Gli elementi modulari hanno innesto classico a bicchiere maschio-femmina calibrato con guarnizione di tenuta a triplice labbro, conforme alla normativa europea EN 14241-1.

Il sistema è adatto a ricevere i fumi con temperatura massima di esercizio fino a 120 °C e pressione positiva P1 pari a 200 Pa.

Riferimento normativo e designazione

Marcatura prodotto secondo normativa europea CE 0476 EN 14471.

Ø 50 ÷ 100	T120 P1 W 2 O00 LI E U
	T120 H1 W 2 O00 LI E U
Ø 125 ÷ 160	T120 P1 W 2 O00 LI E U
	T120 H1 W 2 O00 LI E U
Ø 200	T120 P1 W 2 O00 LI E U
	T120 H1 W 2 O00 LI E U

Utilizzo

Sistema fumario e canale da fumo plastico asserviti a generatori a condensazione, cappe cucina per uso domestico.

Applicazione

Installazione interna.

Diametri disponibili - mm

50 - 60 - 80 - 100 - 125 - 160 - 200

Guarnizione in EPDM compresa e montata.

SINGLE WALL PPs SYSTEM

Single wall PPs system is composed by modular rigid and flexible elements, made of white polypropylene, minimum thickness of 1 mm, according to the standards set out by the European CE mark, EN 14471. The modular elements have classic male-female junction calibrated with triple seal lip gasket, conforming to European standard EN 14241-1.

The system is suitable to receive flue gases with a maximum operating temperature of 120 °C and positive pressure P1 equal to 200 Pa.

Normative references and designation

Product marking according to the European standard CE 0476 EN 14471.

Ø 50 ÷ 100	T120 P1 W 2 O00 LI E U
	T120 H1 W 2 O00 LI E U
Ø 125 ÷ 160	T120 P1 W 2 O00 LI E U
	T120 H1 W 2 O00 LI E U
Ø 200	T120 P1 W 2 O00 LI E U
	T120 H1 W 2 O00 LI E U

Utilizations

Flue systems and flue duct subservient to condensation generators, domestic kitchen hoods.

Application

Internal installation.

Available diameters - mm

50 - 60 - 80 - 100 - 125 - 160 - 200

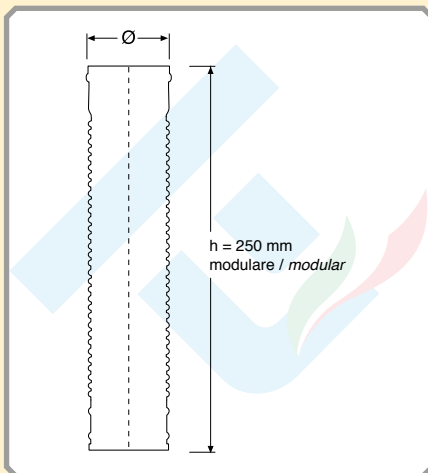
All the items are complete of EPDM seal.



POLIPROPILENE PPS - POLYPROPYLENE PPS

PF...

STANDARD

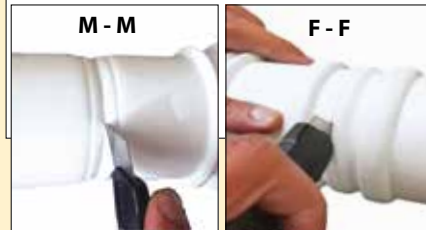


Rotolo tubo flessibile in polipropilene STANDARD.

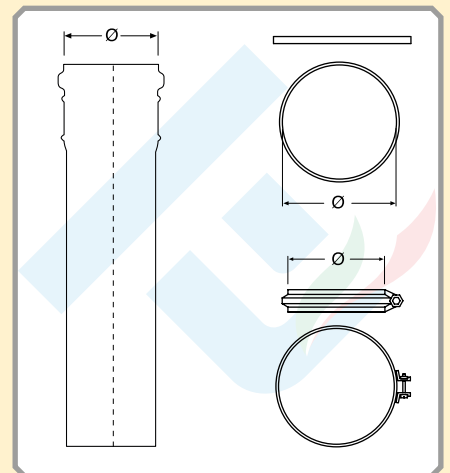
Polypropylene flexible pipe coil STANDARD.

ROTOLO - COIL

Ø	COD.	m	ROTOLO COIL	PCS PALLET
60	PF050060	50	1	4
80	PF050080	50	1	4
100	PF025100	25	1	4
125	PF025125	25	1	#
160	PF025160	25	1	#
60	PF25060	25	1	8 *
80	PF25080	25	1	8 *



*



Kit raccordo flex femmina.

Female flex kit connector.

Ø	COD.	PCS
60	*	1
80	*	1
100	*	1
125	#	#
160	#	#

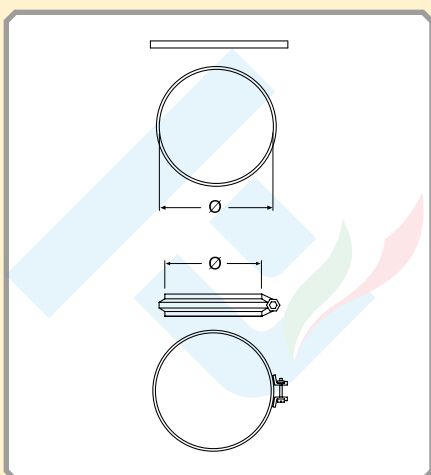


● Imballaggio in scatola
Packing in box

* A richiesta
On request

Non disponibile
Not available

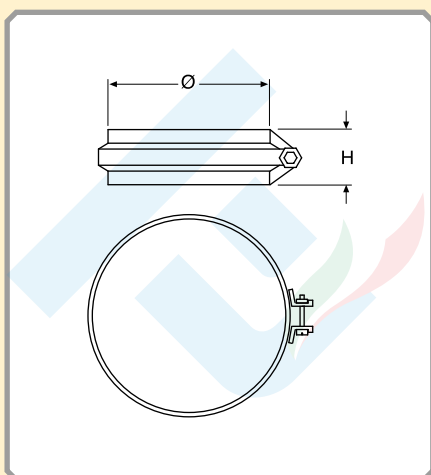
*



Kit di collegamento flex / rigido maschio (composto da fascetta e guarnizione).
Male rigid / flex connection kit (consisting of locking band and seal).

Ø	COD.	PCS
60	*	1
80	*	1
100	*	1
125	#	#
160	#	#

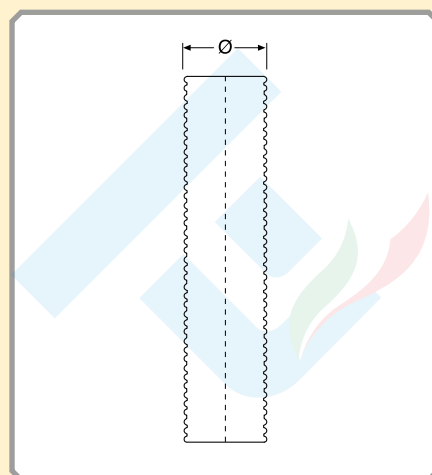
*



Fascetta di sicurezza per collegamento bicchiere maschio flex / PP rigido femmina.
Locking band for connection male flex / PP female rigid.

Ø	COD.	H	PCS
60	*	20	1
80	*	40	1
100	*	40	1
125	*	40	1
160	#	#	#

*



Rotolo tubo flessibile in polipropilene TUTTOCORRUGATO.
Polypropylene flexible pipe coil ALL-CORRUGATED.

Ø	COD.	ROTOLO - COIL	
		m	PCS COIL / PCS PALLET
50	*	50	1
60	*	50	1
80	*	50	1
100	*	20	1
125	*	20	1
160	*	20	1
200	*	30	1



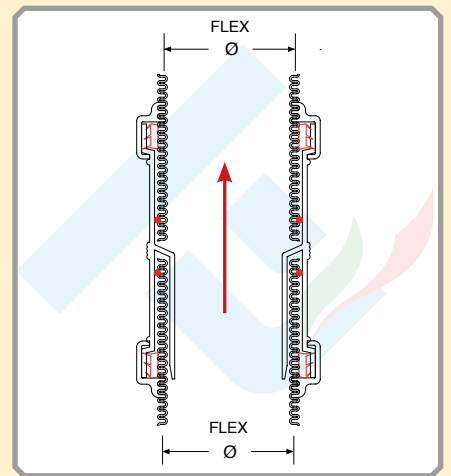
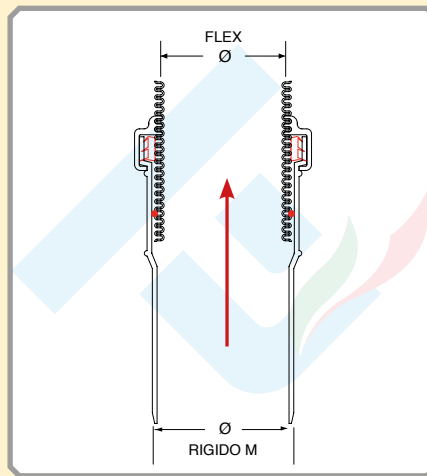
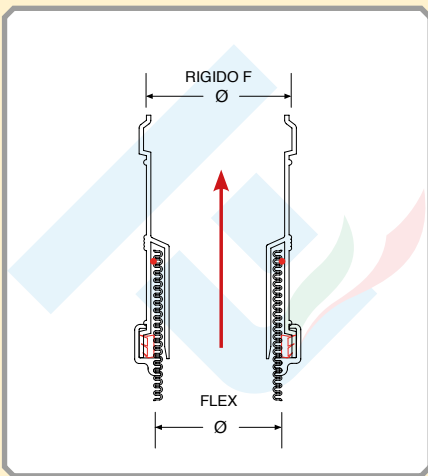
POLIPROPILENE PPS - POLYPROPYLENE PPS

ACCESSORI TUTTOCORRUGATO - ALL-CORRUGATED FITTINGS

*

PLGM50...

PLFF50



Giunto flex rigido femmina.

Giunto flex maschio.

Giunto flex flex anticondensa.

Flex adaptor rigid female.

Male flex adaptor.

Flex flex joiner anti-condensation.

Ø FLEX	Ø RIGIDO F	COD.	H	PCS
50	50	*	110	1
50	60	*	110	1
50	80	*	110	1
60	60	*	110	1
80	80	*	110	1
100	100	*	110	1
125	125	*	110	1
160	160	*	110	1
200	200	*	110	1

Ø FLEX	Ø RIGIDO M	COD.	H	PCS
50	50	PLGM50	105	1
50	60	PLGM0506	105	1
50	80	PLGM0508	105	1
60	60	PLGM06	105	1
80	80	PLGM08	105	1
100	100	PLGM10	105	1
125	125	PLGM125	105	1
160	160	PLGM16	105	1
200	200	PLGM20	105	1

Ø	COD.	H	PCS
50	PLFF05	110	1
60	PLFF06	165	1
80	PLFF08	165	1
100	PLFF10	165	1
125	PLFF125	165	1
160	PLFF16	165	1

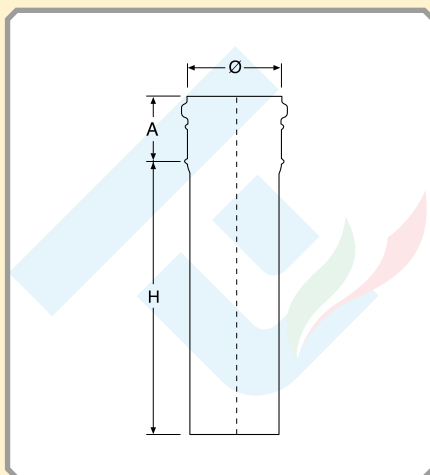


LE FOTO SONO PURAMENTE INDICATIVE - THE PICTURES ARE ONLY INDICATIVE

* A richiesta
On request

Non disponibile
Not available

PL200...

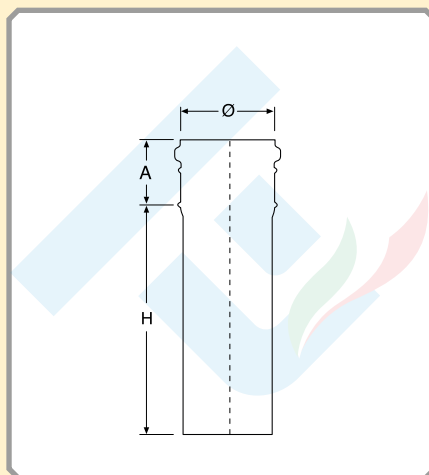


Elemento lineare da 2 m.

Pipe 2 m.

Ø	COD.	A	H	PCS	PCS PALLET
50	PL200050	50	1950	36	216
60	PL200060	50	1950	36	216
80	PL200080	50	1950	20	120
100	PL200100	50	1950	13	78
125	PL200125	50	1950	9	54
160	PL200160	50	1950	5	30
200	PL200200	50	1950	3	18

PL100...

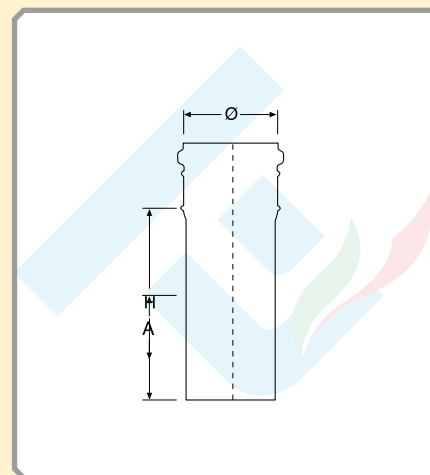


Elemento lineare da 1 m.

Pipe 1 m.

Ø	COD.	A	H	PCS	PCS PALLET
50	PL100050	50	950	36	216
60	PL100060	50	950	36	216
80	PL100080	50	950	20	120
100	PL100100	50	950	13	78
125	PL100125	50	950	9	54
160	PL100160	50	950	5	30
200	PL100200	50	950	3	18

PL050...



Elemento lineare da 0,50 m.

Pipe 0.50 m.

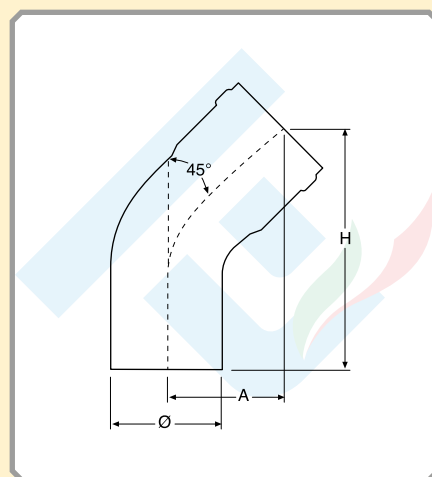
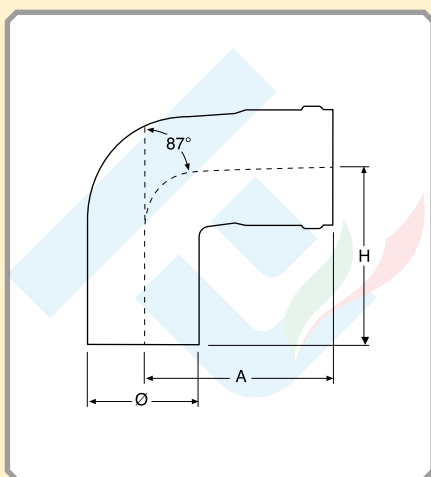
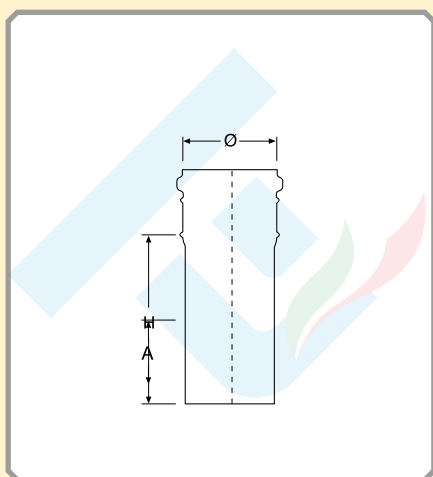
Ø	COD.	A	H	PCS
50	PL050050	50	450	36
60	PL050060	50	450	36
80	PL050080	50	450	20
100	PL050100	50	450	13
125	PL050125	50	450	9
160	PL050160	50	450	5
200	PL050200	50	450	3

POLIPROPILENE PPS - POLYPROPYLENE PPS

PL025...

PC087...

PC045...



Elemento lineare da 0,25 m.

Curva a 87°.

Curva a 45°.

Pipe 0.25 m.

Elbow 87°.

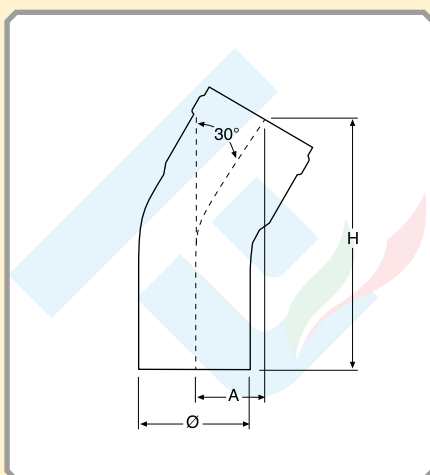
Elbow 45°.

Ø	COD.	A	H	PCS
50	PL025050	50	200	-
60	PL025060	50	200	36
80	PL025080	50	200	20
100	PL025100	50	200	13
125	PL025125	50	200	9
160	PL025160	50	200	5
200	PL025200	50	200	3

Ø	COD.	A	H	PCS
50	PC087050	80	83	22
60	PC087060	100	103	22
80	PC087080	110	113	22
100	PC087100	120	136	10
125	PC087125	160	147	5
160	PC087160	160	170	5
200	PC087200	185	200	4

Ø	COD.	A	H	PCS
50	PC045050	50	100	25
60	PC045060	65	150	25
80	PC045080	65	150	25
100	PC045100	75	175	12
125	PC045125	84	202	6
160	PC045160	84	202	1
200	PC045200	128	309	1

PC030...

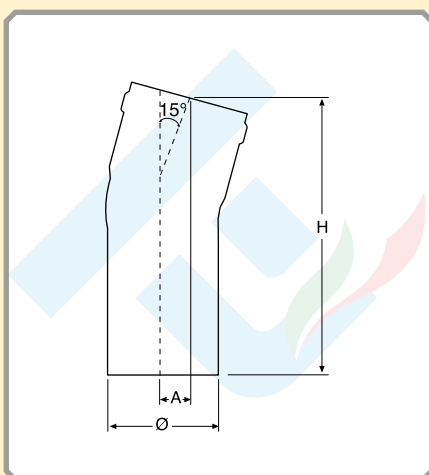


Curva a 30°.

Elbow 30°.

Ø	COD.	A	H	PCS
50	#	#	#	#
60	PC030060	38	125	1
80	PC030080	38	125	1
100	PC030100	45	146	1
125	PC030125	59	187	1
160	PC030160	59	187	1
200	PC030200	59	157	1

PC015...

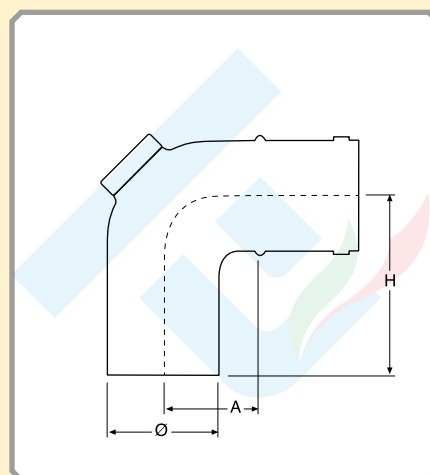


Curva a 15°.

Elbow 15°.

Ø	COD.	A	H	PCS
50	#	#	#	#
60	PC015060	*	*	1
80	PC015080	*	*	1
100	PC015100	*	*	1
125	PC015125	*	*	1
160	PC015160	*	*	1
200	PC015200	*	*	1

*

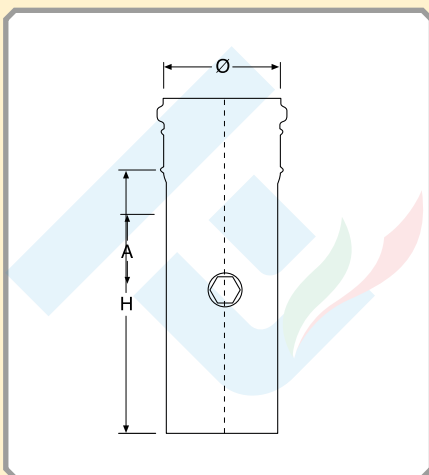


Curva a 90° con ispezione.

Elbow 90° with inspection point.

Ø	COD.	A	H	PCS
50	#	#	#	#
60	*	100	103	10
80	*	110	113	10
100	*	120	136	10
125	*	160	147	6
160	*	160	170	1
200	*	185	200	1

PEPF...

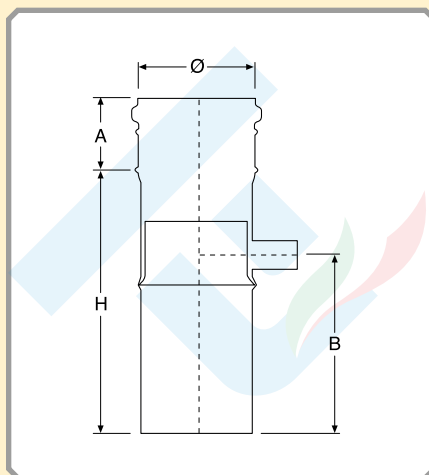


Elemento per prelievo fumi.

Fumes test section with threaded sleeve.

Ø	COD.	A	H	PCS
50	#	#	#	#
60	PEPF060	50	200	1
80	PEPF080	50	200	1
100	PEPF100	50	200	1
125	PEPF125	50	200	1
160	PEPF160	50	200	1
200	PEPF200	50	200	1

PEEC...

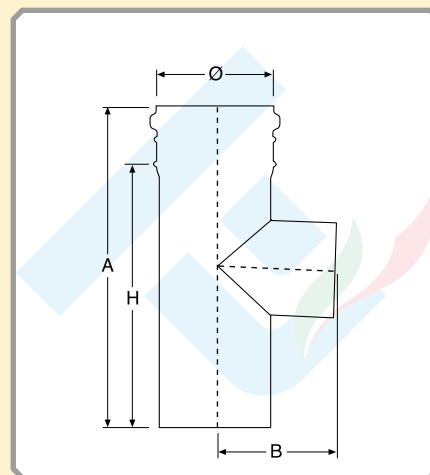


Elemento per drenaggio condensa.

Pipe with condense drain.

Ø	COD.	A	B	H	PCS
50	#	#	#	#	#
60	PEEC060	50	138	200	1
80	PEEC080	50	138	200	1
100	PEEC100	50	138	200	1
125	PEEC125	50	138	200	1
160	PEEC160	50	138	200	1
200	*	50	138	200	1

PT090...



Raccordo a "T" 87°.

87° tee.

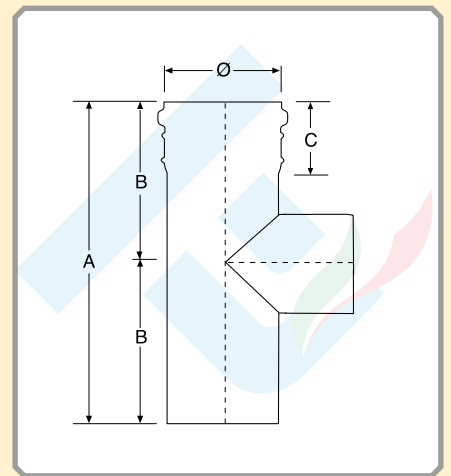
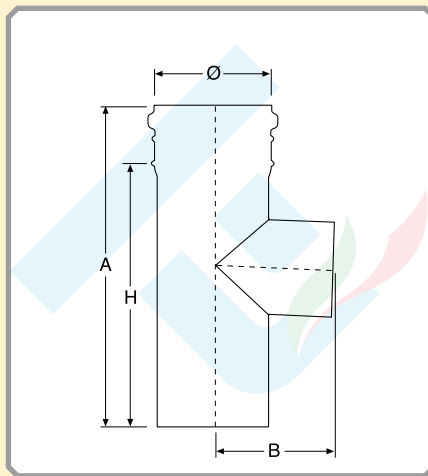
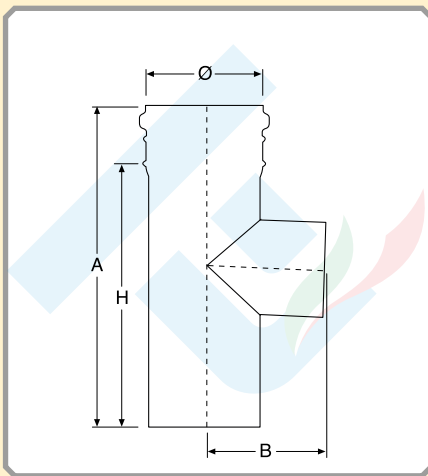
Ø	COD.	A	B	H	PCS
50	#	#	#	#	#
60	PT090060	240	100	180	14
80	PT090080	325	110	180	14
100	PT090100	325	120	265	10
125	PT090125	325	132	265	4
160	PT090160	325	150	265	5
200	PT090200	366	170	306	4

POLIPROPILENE PPS - POLYPROPYLENE PPS

PT090080...

PT090100...

PEI...



Raccordo a "T" 87° uscita monoparete ridotta a Ø 80 mm.

Tee 87° reduced Ø 80 mm single wall.

Raccordo a "T" 87° uscita monoparete ridotta a Ø 100 mm.

Tee 87° reduced Ø 100 mm single wall.

Elemento intermedio per ispezione.

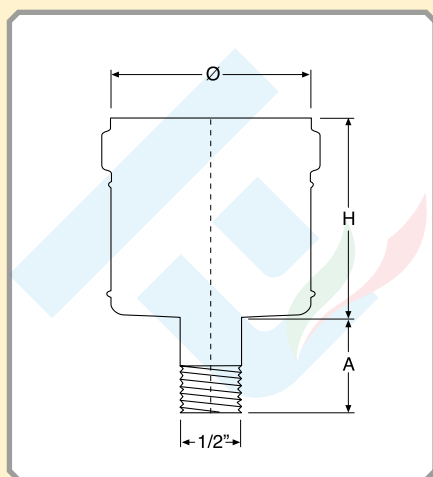
Inspection pipe with round door.

Ø	COD.	A	B	H	PCS
50	#	#	#	#	#
60	#	#	#	#	#
80	#	#	#	#	#
100	PT090080100	325	120	265	10
125	PT090080125	325	132	265	4
160	PT090080160	325	150	265	4
200	PT090080200	366	170	306	4

Ø	COD.	A	B	H	PCS
50	#	#	#	#	#
60	#	#	#	#	#
80	#	#	#	#	#
100	#	#	#	#	#
125	PT090100125	325	132	265	4
160	PT090100160	325	150	265	4
200	PT090100200	366	170	306	4

Ø	COD.	A	B	C	PCS
50	#	#	#	#	#
60	PEI060	250	125	20	1
80	PEI080	250	125	20	1
100	PEI100	250	125	20	1
125	PEI125	250	125	20	1
160	PEI160	250	125	20	1
200	PEI200	250	125	20	1

P02...

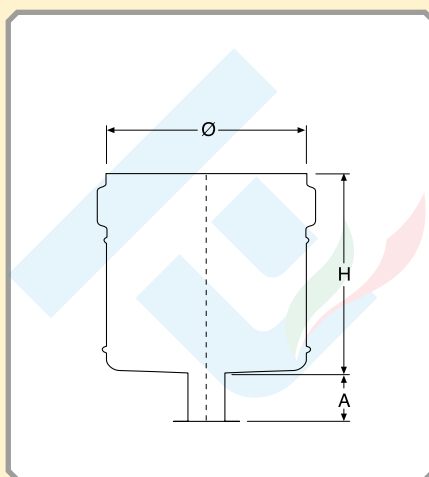


Scarico condensa.

Tee cap with condense drain.

Ø	COD.	A	H	PCS
50	#	#	#	#
60	P02060	30	64	20
80	P02080	30	64	20
100	P02100	30	64	20
125	P02125	30	64	1
160	P02160	30	64	1
200	P02200	30	64	1

P01...

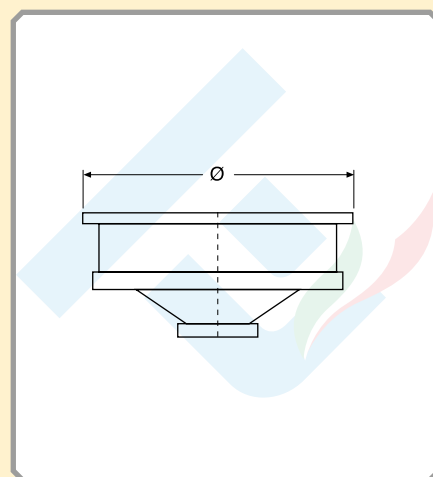


Tappo cieco.

Tee cap.

Ø	COD.	A	H	PCS
50	#	#	#	#
60	P01060	10	64	20
80	P01080	10	64	20
100	P01100	10	64	20
125	P01125	10	64	1
160	P01160	10	64	1
200	P01200	10	64	1

*



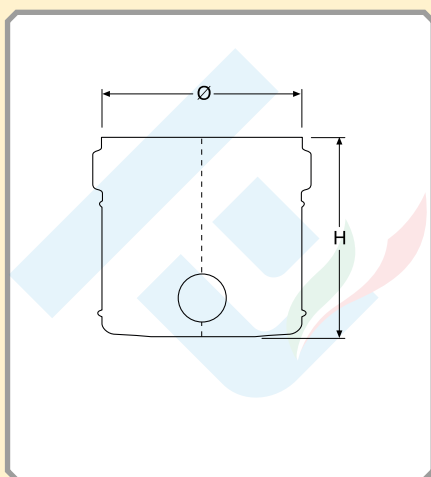
Tappo ad espansione.

Expansion cap.

Ø	COD.	PCS
50	#	#
60	#	#
80	*	20
100	*	20
125	#	#
160	#	#
200	#	#

POLIPROPILENE PPS - POLYPROPYLENE PPS

P021...



Piastra di partenza con scarico laterale.

Base plate with drain plug.

Ø	COD.	H	PCS
50	#	#	#
60	P021060	60	20
80	P021080	60	20
100	P021100	60	20
125	#	#	#
160	#	#	#
200	#	#	#

P04



Sifone.

Siphon.

COD.	PCS
P04	1

*



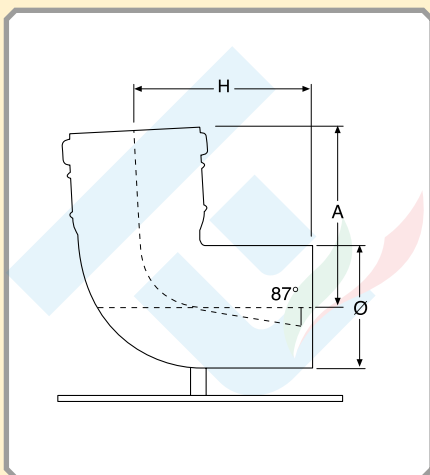
Doppio bicchiere femmina.

Double female element.

Ø	COD.	PCS
50	#	#
60	*	1
80	*	1
100	*	1
125	*	1
160	*	1
200	*	1

CONDENS

*

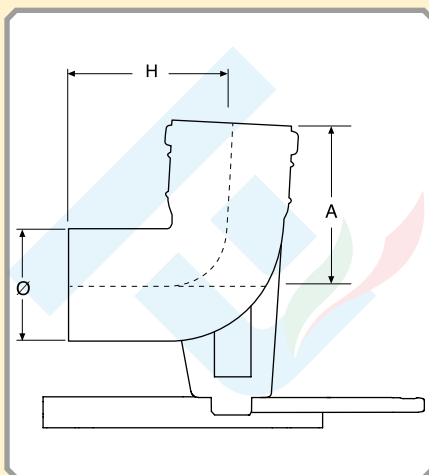


Curva a 87° con staffa di supporto metallica.

Elbow 87° with metallic fixing plate.

Ø	COD.	A	H	PCS
50	#	#	#	#
60	*	100	43	1
80	*	110	53	1
100	*	120	76	1
125	#	#	#	#
160	#	#	#	#
200	#	#	#	#

PC87S...

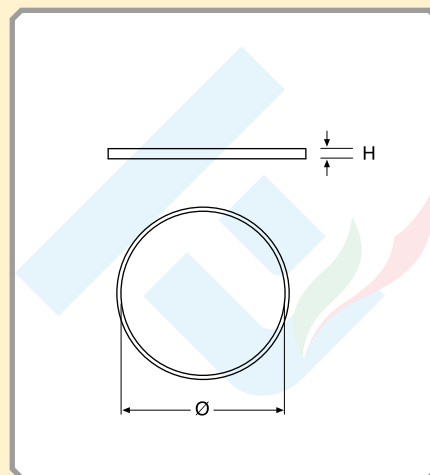


Curva a 87° con staffa di supporto.

Elbow 87° with fixing plate.

Ø	COD.	A	H	PCS
50	#	#	#	#
60	PC87S060	116	112	1
80	PC87S080	116	112	1
100	PC87S100	116	112	1
125	PC87S125	116	112	1
160	PC87S160	116	112	1
200	PC87S200	116	112	1

3605313L...



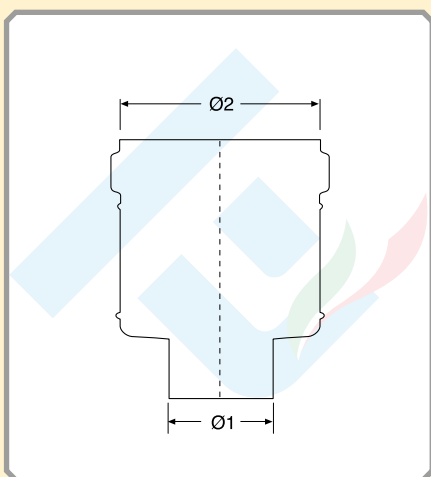
Guarnizione nera in EPDM.

Seal in EPDM black.

Ø	COD.	H	PCS
50	#	#	#
60	3605313L060	10	6
80	3605313L080	10	6
100	3605313L100	10	6
125	3605313L125	10	6
160	3605313L160	10	6
200	3605313L200	10	6

POLIPROPILENE PPS - POLYPROPYLENE PPS

P.....

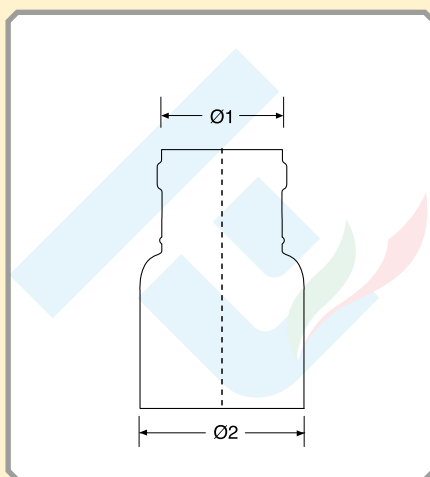


Aumento di diametro.

Increaser.

Ø1	Ø2	COD.	PCS
50	60	P050060	20
60	80	P060080	20
80	100	P080100	20
80	125	P080125	1
100	125	P100125	1
125	160	P125160	1
160	200	P160200	1

P.....

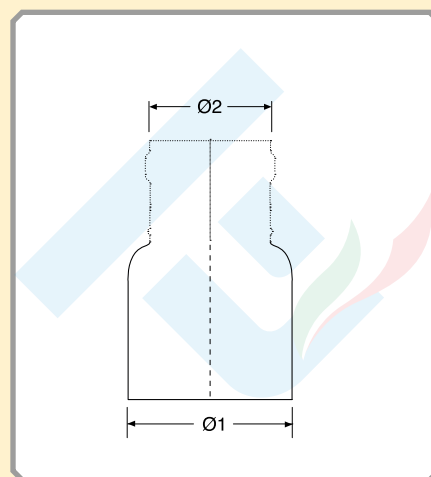


Riduzione di diametro.

Reducer.

Ø1	Ø2	COD.	PCS
80	50	P080050	1
80	60	P080060	1
100	60	P100060	1
100	80	P100080	1
125	100	P125100	

*



Riduzione di diametro a scomparsa.

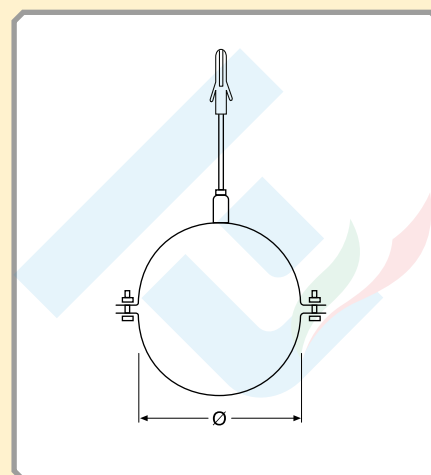
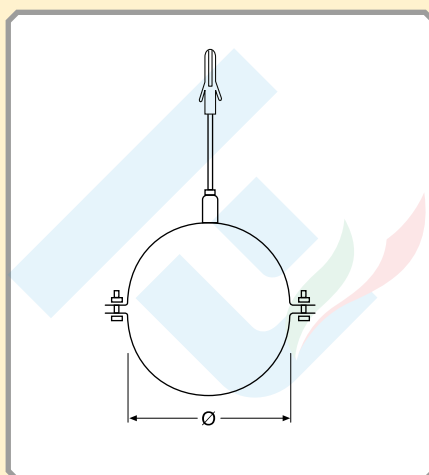
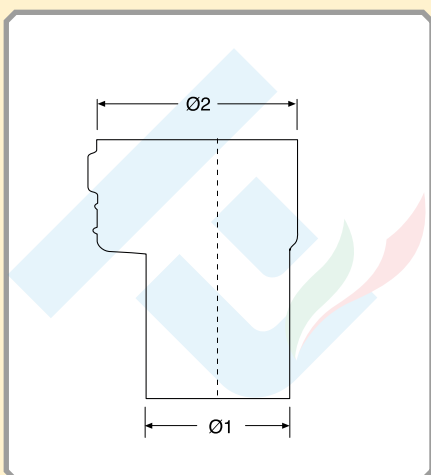
Retractable reducer.

Ø1	Ø2	COD.	PCS
60	50	*	1
80	50	*	1
80	60	*	1

*

P06...

360513C...



Aumento di diametro eccentrico.

Collare a muro bianco con tassello.

Collare a muro inox con tassello.

Eccentric increaser.

White wall bracket with anchor bolt.

Wall bracket in stainless steel with anchor bolt.

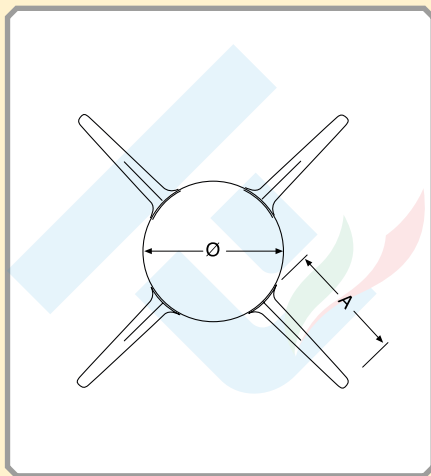
Ø1	Ø2	COD.	€	PCS
50	60	#	#	#
60	80	*	*	1
80	100	*	*	1
80	125	*	*	1
100	125	*	*	1
100	160	*	*	1
160	200	*	*	1

Ø	COD.	€	PCS
50	#	#	#
60	*	*	10
80	P06080	12,74	10
100	P06100	14,97	10
125	P06125	18,48	10
160	P06160	25,96	#
200	P06200	31,84	#

Ø	COD.	€	PCS
50	#	#	#
60	*	*	1
80	360513C080	19,62	1
100	360513C100	19,62	1
125	360513C125	21,51	1
160	360513C160	25,47	1
200	360513C200	27,44	1

POLIPROPILENE PPS - POLYPROPYLENE PPS

P05...

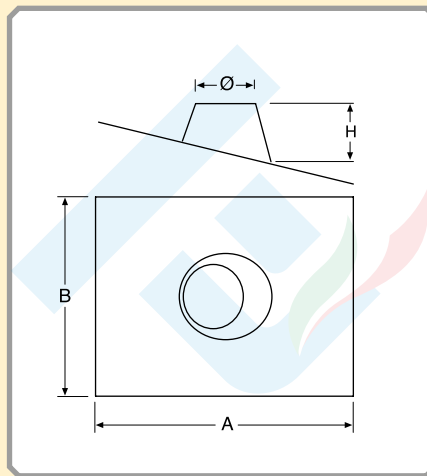


Crociera di centraggio.

Centring bracket.

Ø	COD.	€	A	PCS
50	#	#	#	#
60	*	*	170	1
80	P05080	19,10	170	1
100	P05100	19,10	170	1

360510I...

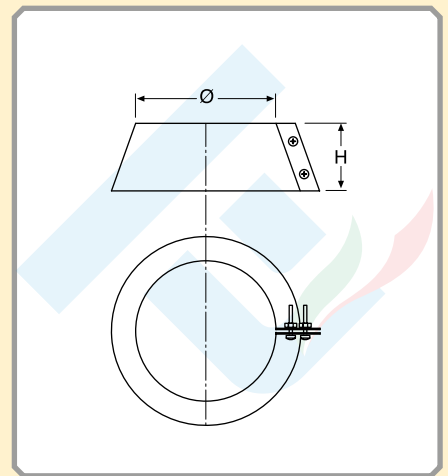


Faldale regolabile da 5° a 30° con base in piombo.

Adjustable flashing from 5° to 30° with lead base.

Ø	COD.	€	A	B	H	PCS
50	#	#	#	#	#	#
60	*	*	750	450	120	1
80	360510I080	303,14	750	450	120	1
100	360510I100	303,14	750	450	120	1
125	360510I125	303,14	850	550	130	1
160	360510I160	327,90	850	550	160	1
200	360510I200	327,90	1000	650	180	1

360512B...

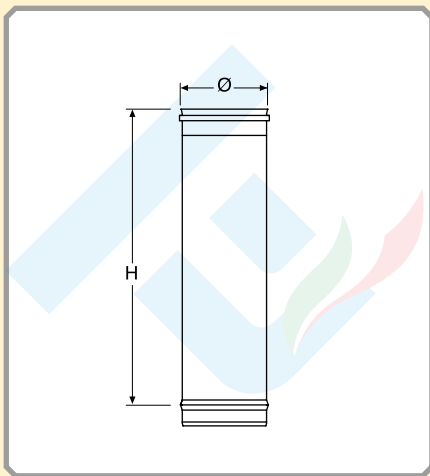


Fascetta anti intemperie inox.

Storm collar in stainless steel.

Ø	COD.	€	H	PCS
50	#	#	#	#
60	*	*	100	1
80	360512B080	31,71	100	1
100	360512B100	33,80	100	1
125	360512B125	38,16	100	1
160	360512B160	48,89	100	1
200	360512B200	61,98	100	1

360400100...

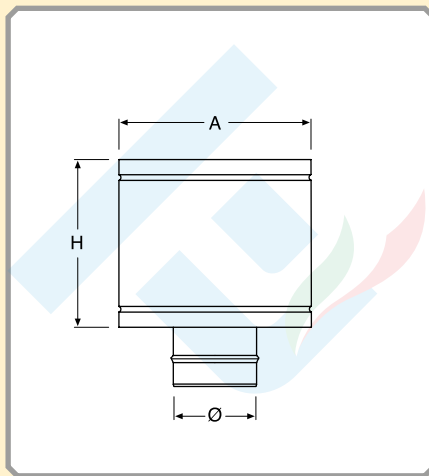


Elemento lineare da 1 m inox.

Pipe 1 m in stainless steel.

Ø	COD.	H	PCS
50	360400100050	940	6
60	360400100060	940	6
80	360400100080	940	6
100	360400100100	940	6
125	360400100125	940	1
160	360400100160	940	1
200	360400100200	940	1

360526...

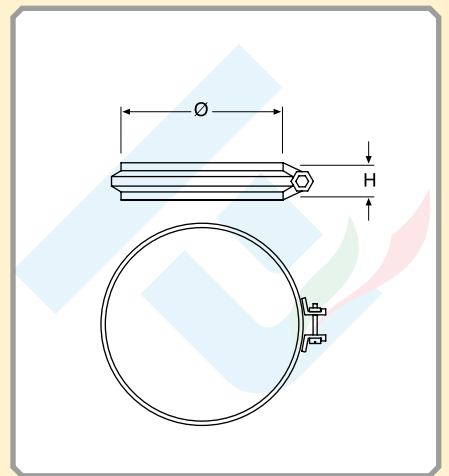


Terminale anti intemperie inox.

Anti downdraught terminal in stainless steel.

Ø	COD.	A	H	PCS
50	#	#	#	#
60	#	#	#	#
80	360526080	185	165	1
100	360526100	185	165	1
125	360526125	260	200	1
160	360526160	303	200	1
200	360526200	370	250	1

360519...



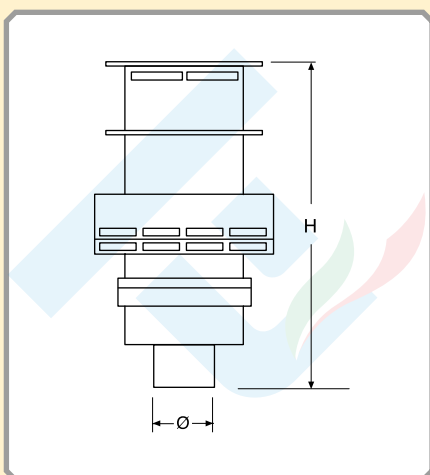
Fascetta di sicurezza inox.

Locking band in stainless steel.

Ø	COD.	H	PCS
50	#	#	#
60	360519060	20	6
80	360519080	20	6
100	360519100	20	6
125	360519125	20	6
160	360519160	20	6
200	360519200	20	6

POLIPROPILENE PPS - POLYPROPYLENE PPS

P30...

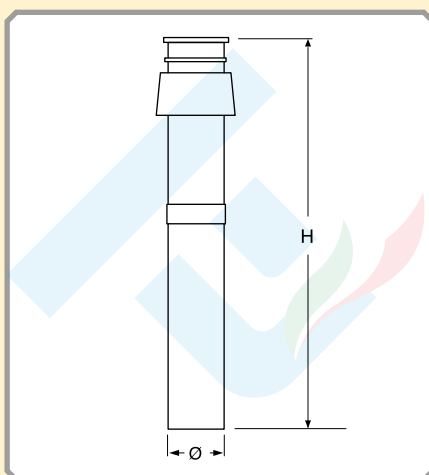


Terminale verticale per comignolo piano.

Vertical terminal for flat chimney.

Ø	COD.	H	PCS
50	#	#	#
60	P30060	800	1
80	P30080	716	1
100	P30100	570	1
125	P30125	620	1
160	#	#	#
200	#	#	#

P31...

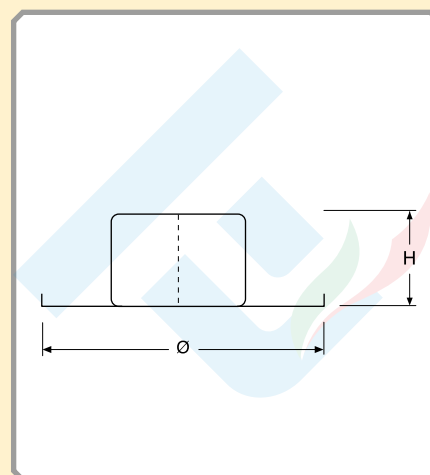


Terminale verticale coassiale per tetto inclinato.

Vertical coax terminal for sloping roof.

Ø	COD.	H	PCS
60	P31060/100	1000	1
80	P31080/125	1200	1

*



Tegola piana universale in alluminio naturale con base tonda.

Universal flat flashing in natural aluminum with round base.

Ø	COD.	H	PCS
60	*	110	1
80	*	110	1
100	*	110	1
125	*	110	1

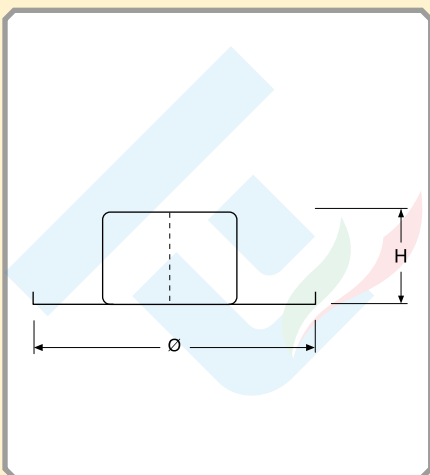


Ventilato
Ventilated

A richiesta
On request

Non disponibile
Not available

P35...

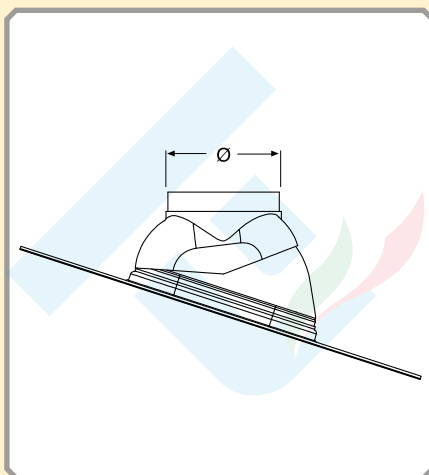


Tegola piana universale con base tonda.

Universal flat flashing with round base.

Ø	COD.	H	PCS
60	*	110	1
80	P35080	110	1
100	P35100	110	1
125	P35125	110	1

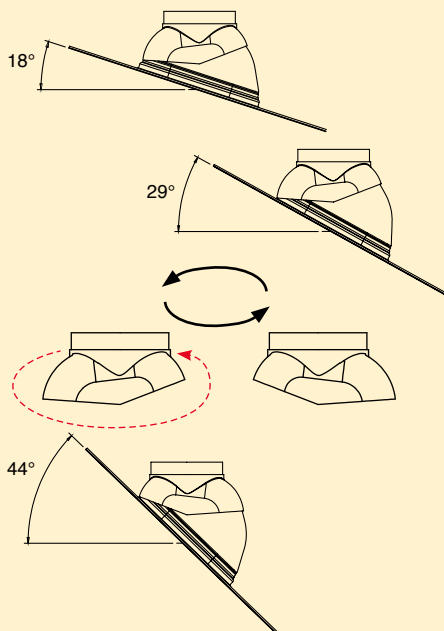
P37...



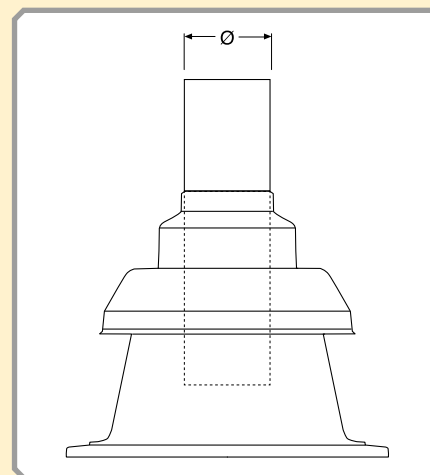
Faldale regolabile da 18° a 44° in plastica nera con base in piombo.

Adjustable flashing from 18° to 44° in black plastic with lead base.

Ø	COD.	PCS
60	*	1
80	P37080	1
100	P37100	1
125	P37125	1



*



Tegola piana a base quadrata per tetti piani (ventilata) completa di prolunga liscia.

Square-based flashing for flat roofs (ventilated) complete with smooth extension.

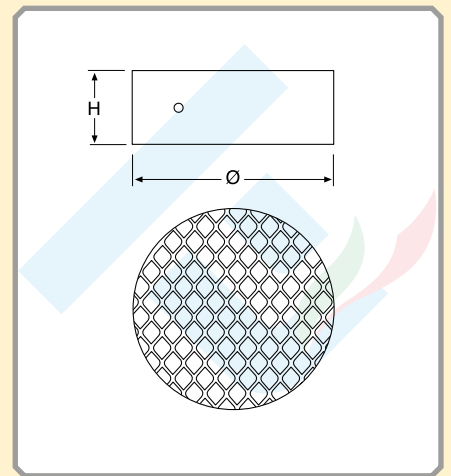
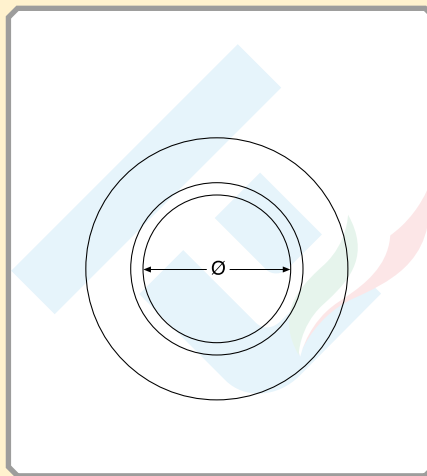
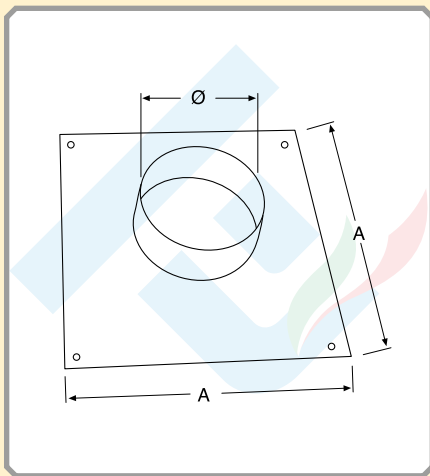
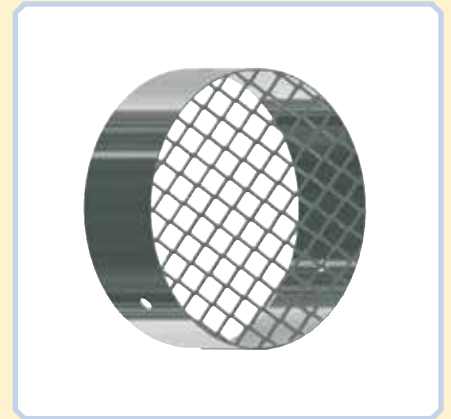
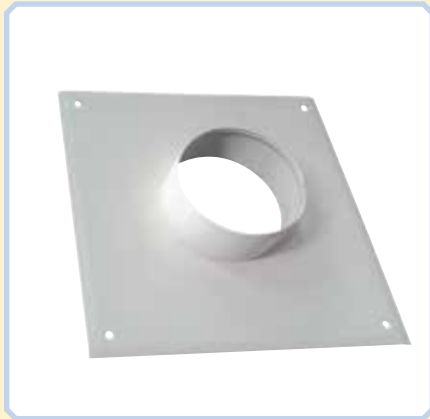
Ø	COD.	PCS
60	*	1
80	*	1
100	*	1

POLIPROPILENE PPS - POLYPROPYLENE PPS

*

P08...

P011...



Piastra di chiusura bianca per coassiale.

Rosone coprimuro interno in EPDM.

Griglia in acciaio inox per aspirazione.

White blanking plate for coaxial.

Internal wall plate in EPDM.

Stainless steel grid for aspiration.

Ø	COD.	A	PCS
60/100	*	300	1
80/125	*	300	1

Ø	COD.	PCS
50	#	#
60	P08060	10
80	P08080	10
100	P08100	10
125	*	10
160	#	#
200	#	#

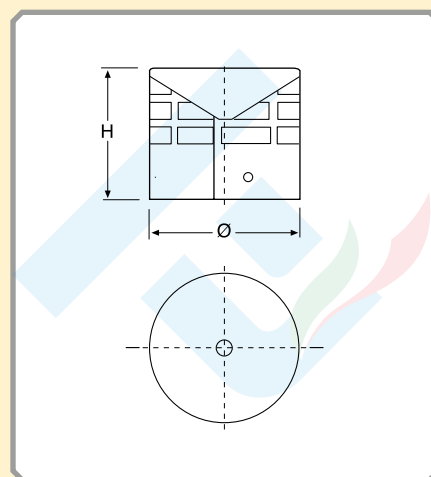
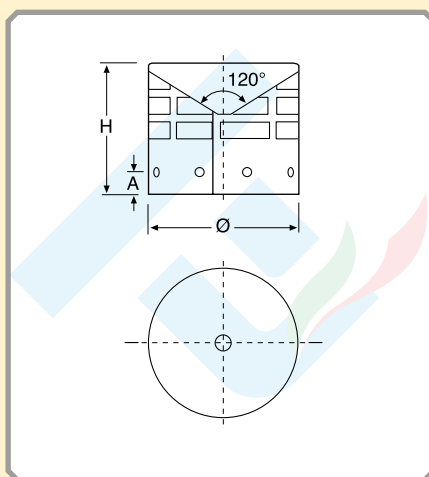
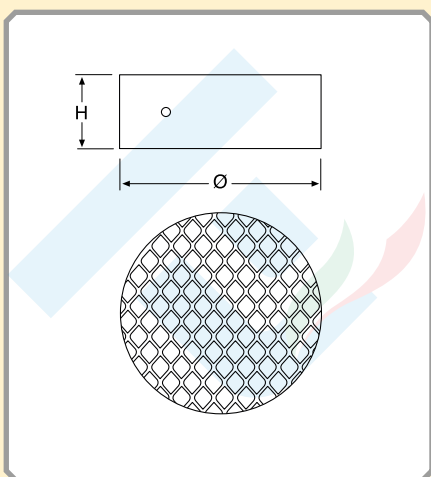
Ø	COD.	H	PCS
50	#	#	#
60	P011060	60	1
80	P011080	60	1
100	P011100	60	1
125	#	#	1
160	#	#	1
200	#	#	1

CONDENS

*

P010...

*



Griglia PP per aspirazione colore nero.

Terminale in acciaio inox per scarico fumi.

Terminale PP per scarico fumi colore nero.

PP grid for aspiration black color.

Stainless steel terminal for smoke exhaust.

PP terminal for smoke exhaust black color.

Ø	COD.	H	PCS
50	#	#	#
60	#	#	#
80	*	60	1
100	#	#	#
125	#	#	#
160	#	#	#
200	#	#	#

Ø	COD.	A	H	PCS
50	#	#	#	#
60	P010060	12	70	10
80	P010080	12	70	10
100	P010100	12	70	10
125	#	#	#	#
160	#	#	#	#
200	#	#	#	#

Ø	COD.	H	PCS
50	#	#	#
60	*	-	1
80	*	70	1
100	#	#	#
125	#	#	#
160	#	#	#
200	#	#	#

POLIPROPILENE PPS - POLYPROPYLENE PPS

*



Kit PPs flessibile.

PPs flexible kit.

Ø	COD.	PCS
60	*	1
80	*	1
100	*	1

KIT9PPS



Kit intubazione con flessibile PPs da 9 m.

Intubation kit with 9 m PPs flexible liner.

Contiene / Contains

9 m	Flessibile PPs <i>PPs flexible liner</i>
1	Raccordo a "T" 87° <i>87° tee</i>
1	Scarico condensa <i>Tee cap with condense drain</i>
1	Collare con tassello <i>Wall bracket with anchor bolt</i>
1	Piastra flex <i>Flexible top plate</i>
1	Collare di centraggio <i>Spacing bracket</i>
1	Collare di bloccaggio <i>Top clamp</i>
1	Tubetto silicone per esterni <i>Silicone tube for outdoor use</i>
2	Guarnizioni <i>Seals</i>
4	Tasselli con viti <i>Dowels with screws</i>

COD.	PCS
KIT9PPS	1

PAKPPS



Kit intubazione PPs.

Intubation kit PPs.

Contiene / Contains

1	Raccordo a "T" 87° <i>87° tee</i>
1	Scarico condensa <i>Tee cap with condense drain</i>
1	Collare con tassello <i>Wall bracket with anchor bolt</i>
1	Piastra flex <i>Flexible top plate</i>
1	Collare di centraggio <i>Spacing bracket</i>
1	Collare di bloccaggio <i>Top clamp</i>
1	Tubetto silicone per esterni <i>Silicone tube for outdoor use</i>
2	Guarnizioni <i>Seals</i>
4	Tasselli con viti <i>Dowels with screws</i>

COD.	PCS
PAKPPS	1

*



Lubrificante per guarnizione.

Lubricant for seal.

COD.	PCS
*	1