

3CEp

SISTEMA COASSIALE P1
COAXIAL SYSTEM P1

SISTEMA COASSIALE 3CEp

Il sistema **coassiale 3CEp** è composto da elementi componibili rigidi con finitura lucida BA, realizzati in acciaio inox austenitico AISI 316L BA (1.4404) di spessore minimo 0,4 mm conformi agli standard previsti dalla marcatura CE secondo la normativa EN 1856-1. Gli elementi modulari hanno innesto classico a bicchiere maschio-femmina calibrato con guarnizione di tenuta a triplice labbro, conforme alla normativa europea EN 14241-1, e giunzione meccanica con fascetta di sicurezza.

Riferimento normativo e designazione

Marcatura prodotto secondo normativa europea EN 1856-1.

T200 P1 W V2 L50040 O30

T200 P1 W V2 L50050 O30

T200 P1 W V2 L50060 O30

T200 P1 W V2 L50080 O30

Utilizzo

Il sistema CLVp 3CEp è un sistema collettivo di aspirazione d'aria comburente ed evacuazione dei prodotti della combustione destinato ad apparecchi a gas a tenuta stagna di tipo C42, C43, C82 ou C(10)2, C(10)3, C(12)2, C(12)3.

Il sistema funziona in pressione positiva.

Applicazione

Installazione interna.

Diametri disponibili - mm

100150 - 110180 - 130200 - 150230 - 180250 - 200300 - 230350 - 250400 **A RICHIESTA**

Guarnizione in silicone compresa e montata.
Fascetta di sicurezza compresa (cod. 360519).

COAXIAL SYSTEM 3CEp

Coaxial 3CEp system is composed by modular elements with BA surface finish, made of austenitic stainless steel AISI 316 LBA (1.4404) minimum thickness of 0.4 mm, according to the standards set out by the European CE mark, EN 1856-1. The modular elements have classic calibrate male-female junction, with triple seal lip gasket, conforming to European standard EN 14241-1, and mechanical connection with locking clamp.

Normative references and designation

Product marking according to the European standard EN 1856-1.

T200 P1 W V2 L50040 O30

T200 P1 W V2 L50050 O30

T200 P1 W V2 L50060 O30

T200 P1 W V2 L50080 O30

Utilizations

The CLVp 3CEp system is a collective system for the intake of combustion air and for the evacuation of combustion products for gas appliances type C42, C43, C82 ou C(10)2, C(10)3, C(12)2, C(12)3.

The system works in positive pressure.

Application

Internal installation.

Available diameters - mm

*100150 - 110180 - 130200 - 150230 - 180250 - 200300 - 230350 - 250400 **ON REQUEST***

Items are complete of silicone seal and external locking bands (cod. 360519).

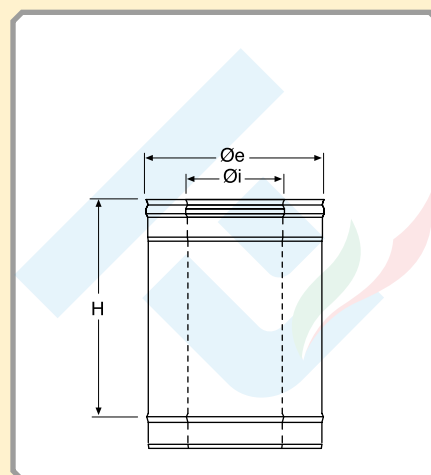
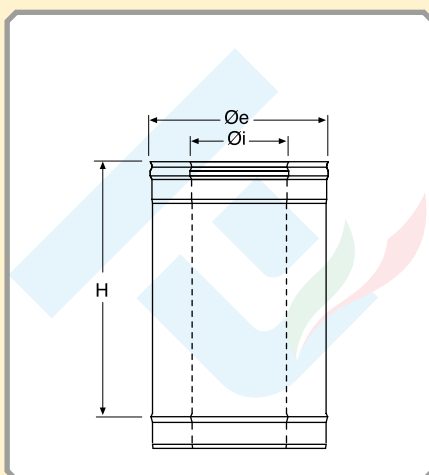
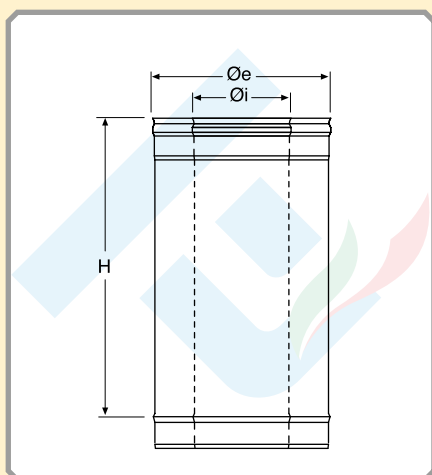


SISTEMA COASSIALE - COAXIAL SYSTEM AISI 316L

CLVP1...

CLVP05...

CLVP02...



Elemento lineare da 1 m.

Elemento lineare da 0,50 m.

Elemento lineare da 0,25 m.

Pipe 1 m.

Pipe 0.50 m.

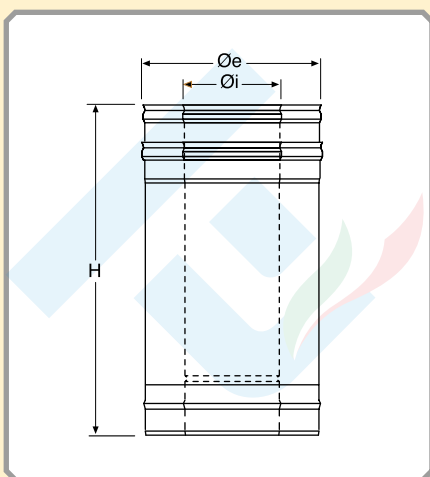
Pipe 0.25 m.

Øi	Øe	COD.	H
100	150	CLVP11015	940
110	180	CLVP11118	940
130	200	CLVP11320	940
150	230	CLVP11523	940
180	250	CLVP11825	940
200	300	CLVP12030	940
230	350	CLVP12335	940
250	400	CLVP12540	940

Øi	Øe	COD.	H
100	150	CLVP051015	440
110	180	CLVP051118	440
130	200	CLVP051320	440
150	230	CLVP051523	440
180	250	CLVP051825	440
200	300	CLVP052030	440
230	350	CLVP052335	440
250	400	CLVP052540	440

Øi	Øe	COD.	H
100	150	CLVP021015	190
110	180	CLVP021118	190
130	200	CLVP021320	190
150	230	CLVP021523	190
180	250	CLVP021825	190
200	300	CLVP022030	190
230	350	CLVP022335	190
250	400	CLVP022540	190

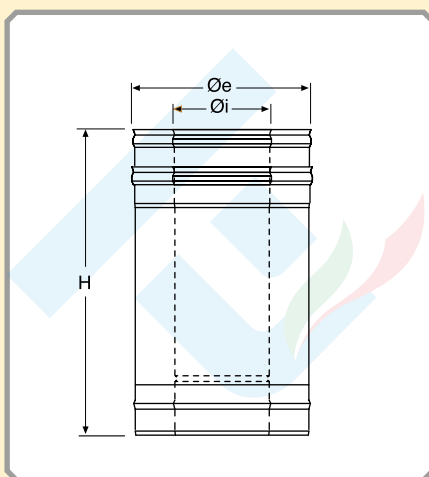
3CEP

CLVPEV1...


Elemento telescopico 930-1330 mm.

Adjustable pipe 930-1330 mm.

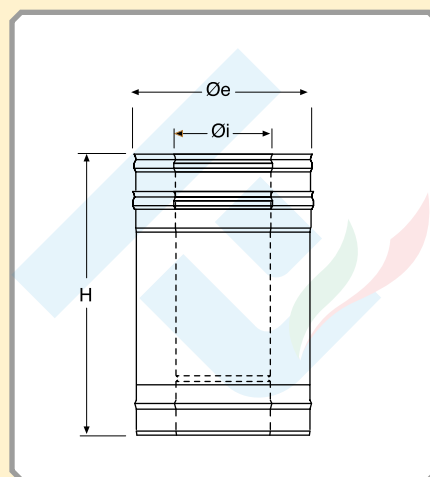
Øi	Øe	COD.	H
100	150	CLVPEV11015	930-1330
110	180	CLVPEV11118	930-1330
130	200	CLVPEV11320	930-1330
150	230	CLVPEV11523	930-1330
180	250	CLVPEV11825	930-1330
200	300	CLVPEV12030	930-1330
230	350	CLVPEV12335	930-1330
250	400	CLVPEV12540	930-1330

CLVPEV2...


Elemento telescopico 750-1200 mm.

Adjustable pipe 750-1200 mm.

Øi	Øe	COD.	H
100	150	CLVPEV21015	750-1200
110	180	CLVPEV21118	750-1200
130	200	CLVPEV21320	750-1200
150	230	CLVPEV21523	750-1200
180	250	CLVPEV21825	750-1200
200	300	CLVPEV22030	750-1200
230	350	CLVPEV22335	750-1200
250	400	CLVPEV22540	750-1200

CLVPEV3...


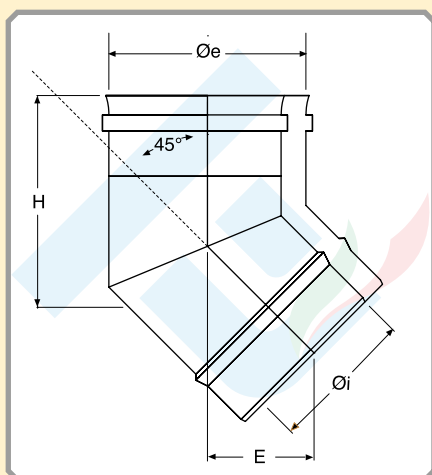
Elemento telescopico 450-800 mm.

Adjustable pipe 450-800 mm.

Øi	Øe	COD.	H
100	150	CLVPEV31015	450-800
110	180	CLVPEV31118	450-800
130	200	CLVPEV31320	450-800
150	230	CLVPEV31523	450-800
180	250	CLVPEV31825	450-800
200	300	CLVPEV32030	450-800
230	350	CLVPEV32335	450-800
250	400	CLVPEV32540	450-800

SISTEMA COASSIALE - COAXIAL SYSTEM AISI 316L

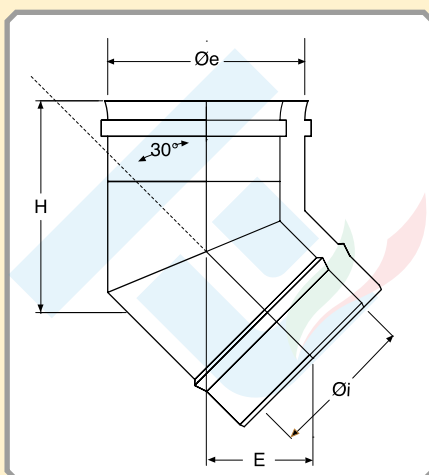
CLVPG45...



Curva a 45°.

Elbow 45°.

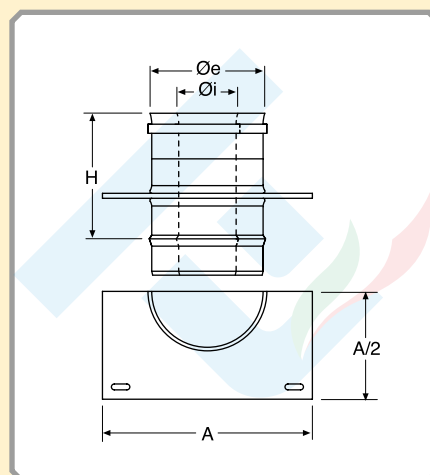
CLVPG30...



Curva a 30°.

Elbow 30°.

CLVPPI...



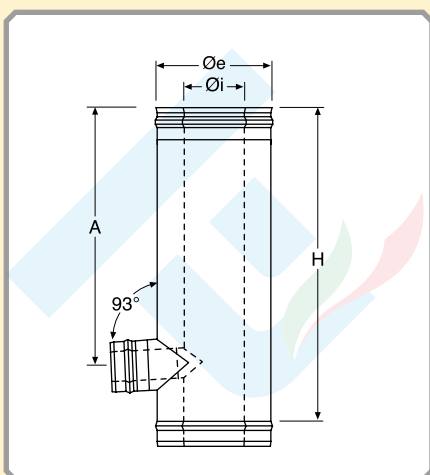
Piastra intermedia.

Intermediate anchor plate.

Øi	Øe	COD.	E	H
100	150	CLVPG451015	75	126
110	180	CLVPG451118	79	137
130	200	CLVPG451320	82	143
150	230	CLVPG451523	88	160
180	250	CLVPG451825	91	164
200	300	CLVPG452030	98	184
230	350	CLVPG452335	105	197
250	400	CLVPG452540	114	215

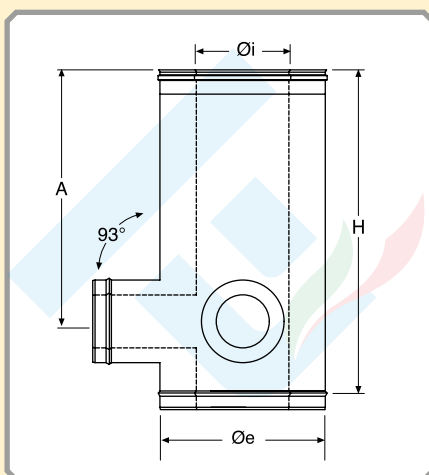
Øi	Øe	COD.	E	H
100	150	CLVPG301015	48	122
110	180	CLVPG301118	51	130
130	200	CLVPG301320	51	135
150	230	CLVPG301523	53	142
180	250	CLVPG301825	54	147
200	300	CLVPG302030	57	160
230	350	CLVPG302335	60	172
250	400	CLVPG302540	63	184

Øi	Øe	COD.	A	H
100	150	CLVPPI1015	350	190
110	180	CLVPPI1118	350	190
130	200	CLVPPI1320	350	190
150	230	CLVPPI1523	350	190
180	250	CLVPPI1825	350	190
200	300	CLVPPI2030	350	190
230	350	CLVPPI2335	350	190
250	400	CLVPPI2540	350	190

CLVPCX1...


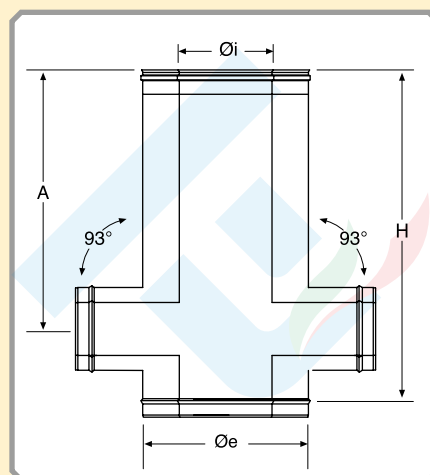
Raccordo a "T" 93° con condotto coassiale
 \varnothing 60 interno (gas) \varnothing 100 esterno (aria).
 93° tee with coaxial duct \varnothing 60 internal (gas)
 \varnothing 100 external (air).

\varnothing_i	\varnothing_e	COD.	A	H
100	150	CLVPCX11015	830	940
110	180	CLVPCX11118	830	940
130	200	CLVPCX11320	830	940
150	230	CLVPCX11523	830	940
180	250	CLVPCX11825	830	940
200	300	CLVPCX12030	830	940
230	350	CLVPCX12335	830	940
250	400	CLVPCX12540	830	940

CLVPCX490...


Raccordo a "T" 93° con due condotti a 90°
 coassiali \varnothing 60 interno (gas) \varnothing 100 esterno (aria).
 93° tee with two ducts at 90° coaxial \varnothing 60
 internal (gas) \varnothing 100 external (air).

\varnothing_i	\varnothing_e	COD.	A	H
100	150	CLVPCX4901015	830	940
110	180	CLVPCX4901118	830	940
130	200	CLVPCX4901320	830	940
150	230	CLVPCX4901523	830	940
180	250	CLVPCX4901825	830	940
200	300	CLVPCX4902030	830	940
230	350	CLVPCX4902335	830	940
250	400	CLVPCX4902540	830	940

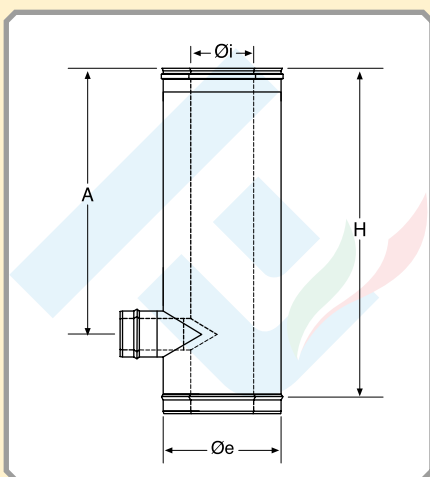
CLVPCX418..


Raccordo a "T" 93° con due condotti a 180°
 coassiali \varnothing 60 interno (gas) \varnothing 100 esterno (aria).
 93° tee with two ducts at 180° coaxial
 \varnothing 60 internal (gas) \varnothing 100 external (air).

\varnothing_i	\varnothing_e	COD.	A	H
100	150	CLVPCX41801015	830	940
110	180	CLVPCX41801118	830	940
130	200	CLVPCX41801320	830	940
150	230	CLVPCX41801523	830	940
180	250	CLVPCX41801825	830	940
200	300	CLVPCX41802030	830	940
230	350	CLVPCX41802335	830	940
250	400	CLVPCX41802540	830	940

SISTEMA COASSIALE - COAXIAL SYSTEM AISI 316L

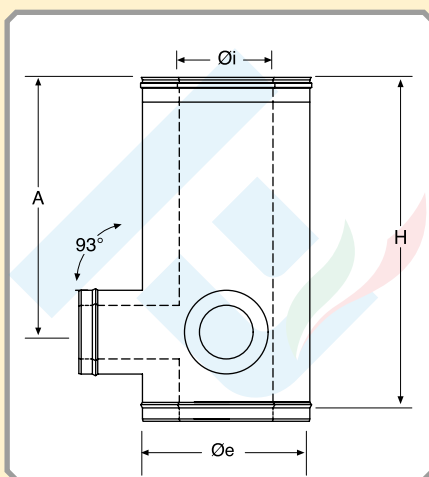
CLVPCX3...



Raccordo a "T" 93° con condotto coassiale
 \varnothing 80 interno (gas) \varnothing 125 esterno (aria).
 93° tee with coaxial duct \varnothing 80 internal (gas)
 \varnothing 125 external (air).

\varnothing_i	\varnothing_e	COD.	A	H
100	150	CLVPCX31015	817	940
110	180	CLVPCX31118	817	940
130	200	CLVPCX31320	817	940
150	230	CLVPCX31523	817	940
180	250	CLVPCX31825	817	940
200	300	CLVPCX32030	817	940
230	350	CLVPCX32335	817	940
250	400	CLVPCX32540	817	940

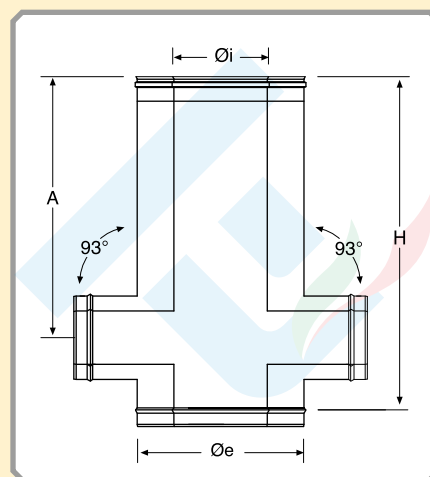
CLVPCX390...



Raccordo a "T" 93° con due condotti a 90°
 coassiali \varnothing 80 interno (gas) \varnothing 125 esterno (aria).
 93° tee with two ducts at 90° coaxial \varnothing 80
 internal (gas) \varnothing 125 external (air).

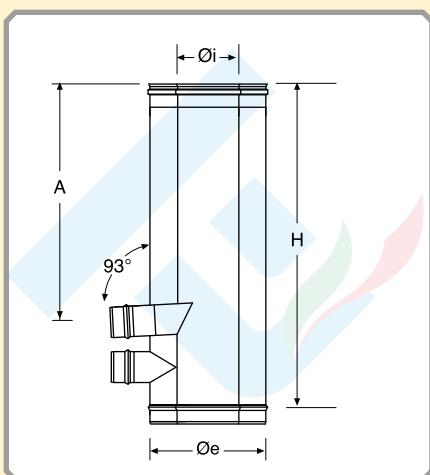
\varnothing_i	\varnothing_e	COD.	A	H
100	150	CLVPCX3901015	817	940
110	180	CLVPCX3901118	817	940
130	200	CLVPCX3901320	817	940
150	230	CLVPCX3901523	817	940
180	250	CLVPCX3901825	817	940
200	300	CLVPCX3902030	817	940
230	350	CLVPCX3902335	817	940
250	400	CLVPCX3902540	817	940

CLVPCX318...



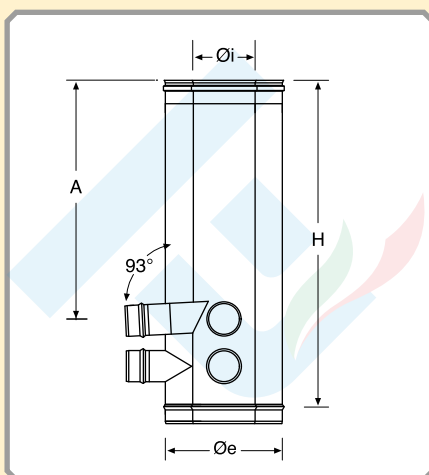
Raccordo a "T" 93° con due condotti a 180°
 coassiali \varnothing 80 interno (gas) \varnothing 125 esterno (aria).
 93° tee with two ducts at 180° coaxial
 \varnothing 80 internal (gas) \varnothing 125 external (air).

\varnothing_i	\varnothing_e	COD.	A	H
100	150	CLVPCX31801015	817	940
110	180	CLVPCX31801118	817	940
130	200	CLVPCX31801320	817	940
150	230	CLVPCX31801523	817	940
180	250	CLVPCX31801825	817	940
200	300	CLVPCX31802030	817	940
230	350	CLVPCX31802335	817	940
250	400	CLVPCX31802540	817	940

CLVPR061...


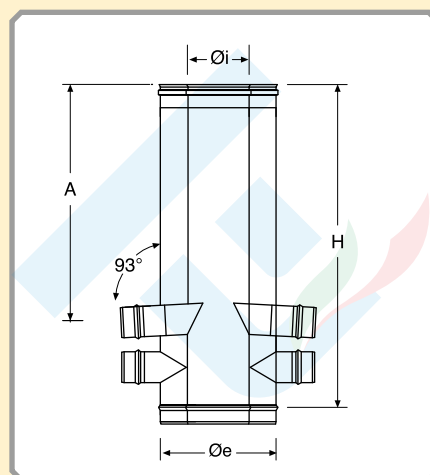
Raccordo a "T" 93° con due condotti $\varnothing 60$ monoparete (1 gas + 1 aria) interasse mm 120.
 93° tee with two $\varnothing 60$ single wall ducts (1 gas + 1 air) interaxis 120 mm.

\varnothing_i	\varnothing_e	COD.	A	H
100	150	CLVPR0611015	720	940
110	180	CLVPR0611118	720	940
130	200	CLVPR0611320	720	940
150	230	CLVPR0611523	720	940
180	250	CLVPR0611825	720	940
200	300	CLVPR0612030	720	940
230	350	CLVPR0612335	720	940
250	400	CLVPR0612540	720	940

CLVPR06901...


Raccordo a "T" 93° con quattro condotti a 90° $\varnothing 60$ monoparete (2 gas + 2 aria) interasse mm 120.
 93° tee with four $\varnothing 60$ single wall ducts at 90° (2 gas + 2 air) interaxis 120 mm.

\varnothing_i	\varnothing_e	COD.	A	H
100	150	CLVPR069011015	720	940
110	180	CLVPR069011118	720	940
130	200	CLVPR069011320	720	940
150	230	CLVPR069011523	720	940
180	250	CLVPR069011825	720	940
200	300	CLVPR069012030	720	940
230	350	CLVPR069012335	720	940
250	400	CLVPR069012540	720	940

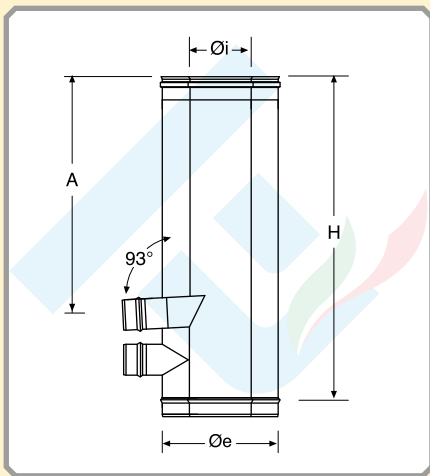
CLVPR06181...


Raccordo a "T" 93° con quattro condotti a 180° $\varnothing 60$ monoparete (2 gas + 2 aria) interasse mm 120.
 93° tee with four $\varnothing 60$ single wall ducts at 180° (2 gas + 2 air) interaxis 120 mm.

\varnothing_i	\varnothing_e	COD.	A	H
100	150	CLVPR061811015	720	940
110	180	CLVPR061811118	720	940
130	200	CLVPR061811320	720	940
150	230	CLVPR061811523	720	940
180	250	CLVPR061811825	720	940
200	300	CLVPR061812030	720	940
230	350	CLVPR061812335	720	940
250	400	CLVPR061812540	720	940

SISTEMA COASSIALE - COAXIAL SYSTEM AISI 316L

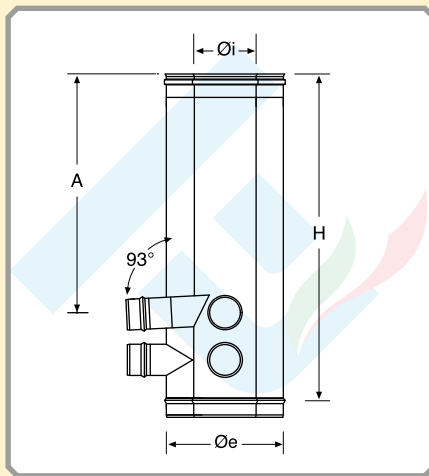
CLVPR081...



Raccordo a "T" 93° con due condotti \varnothing 80 monoparete (1 gas + 1 aria) interasse mm 120.
93° tee with two \varnothing 80 single wall ducts (1 gas + 1 air) interaxis 120 mm.

\varnothing_i	\varnothing_e	COD.	A	H
100	150	CLVPR0811015	720	940
110	180	CLVPR0811118	720	940
130	200	CLVPR0811320	720	940
150	230	CLVPR0811523	720	940
180	250	CLVPR0811825	720	940
200	300	CLVPR0812030	720	940
230	350	CLVPR0812335	720	940
250	400	CLVPR0812540	720	940

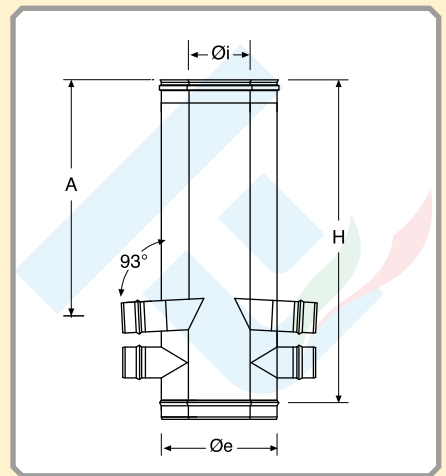
CLVPR08901...



Raccordo a "T" 93° con quattro condotti a 90° \varnothing 80 monoparete (2 gas + 2 aria) interasse mm 120.
93° tee with four \varnothing 80 single wall ducts at 90° (2 gas + 2 air) interaxis 120 mm.

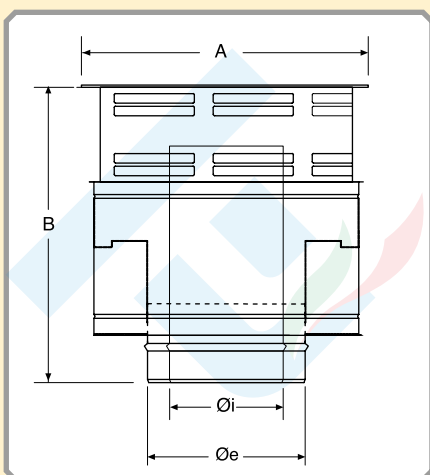
\varnothing_i	\varnothing_e	COD.	A	H
100	150	CLVPR089011015	720	940
110	180	CLVPR089011118	720	940
130	200	CLVPR089011320	720	940
150	230	CLVPR089011523	720	940
180	250	CLVPR089011825	720	940
200	300	CLVPR089012030	720	940
230	350	CLVPR089012335	720	940
250	400	CLVPR089012540	720	940

CLVPR08181...



Raccordo a "T" 93° con quattro condotti a 180° \varnothing 80 monoparete (2 gas + 2 aria) interasse mm 120.
93° tee with four \varnothing 80 single wall ducts at 180° (2 gas + 2 air) interaxis 120 mm.

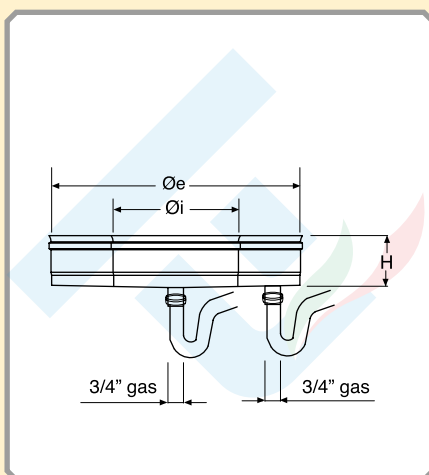
\varnothing_i	\varnothing_e	COD.	A	H
100	150	CLVPR081811015	720	940
110	180	CLVPR081811118	720	940
130	200	CLVPR081811320	720	940
150	230	CLVPR081811523	720	940
180	250	CLVPR081811825	720	940
200	300	CLVPR081812030	720	940
230	350	CLVPR081812335	720	940
250	400	CLVPR081812540	720	940

CLVPTDE..


Terminale antivento doppio con ventilazione aria.

Double anti downdraught terminal with air ventilation.

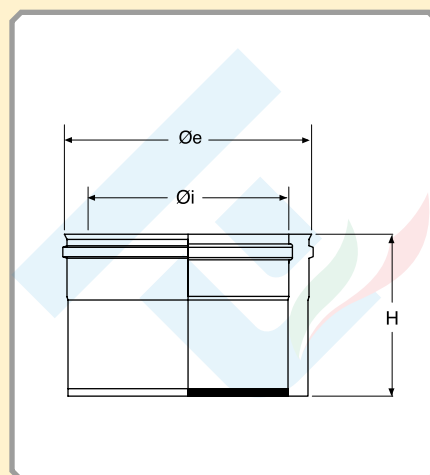
Øi	Øe	COD.	A	B
100	150	CLVPTDE1015	300	410
110	180	CLVPTDE1118	350	450
130	200	CLVPTDE1320	350	460
150	230	CLVPTDE1523	400	520
180	250	CLVPTDE1825	450	570
200	300	CLVPTDE2030	500	620
230	350	CLVPTDE2335	750	850
250	400	CLVPTDE2540	850	950

CLVPSC2...


Tappo scarico condensa con doppio manicotto filettato.

Tee cap with condense drain and double threaded sleeve.

Øi	Øe	COD.	H
100	150	CLVPSC21015	80
110	180	CLVPSC21118	80
130	200	CLVPSC21320	80
150	230	CLVPSC21523	80
180	250	CLVPSC21825	80
200	300	CLVPSC22030	80
230	350	CLVPSC22335	80
250	400	CLVPSC22540	80

CLVPTCS...


Tappo cieco.

Tee cap.

Øi	Øe	COD.	H
100	150	CLVPTCS1015	65
110	180	CLVPTCS1118	65
130	200	CLVPTCS1320	65
150	230	CLVPTCS1523	65
180	250	CLVPTCS1825	65
200	300	CLVPTCS2030	65
230	350	CLVPTCS2335	65
250	400	CLVPTCS2540	65

SISTEMA COASSIALE - COAXIAL SYSTEM AISI 316L

CLVPSIFONE



Sifone.

Siphon.

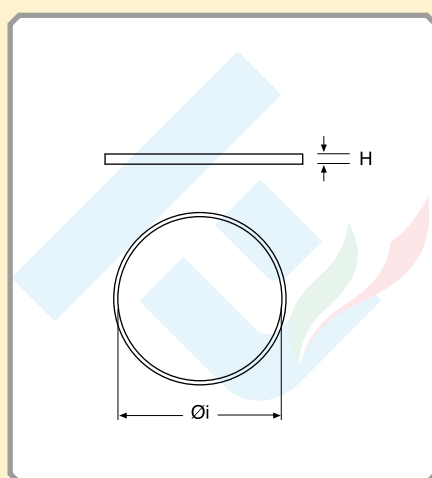
COD.
CLVPSIFONE

3605313L...



Guarnizione di tenuta in silicone nero.

Silicon black seal.



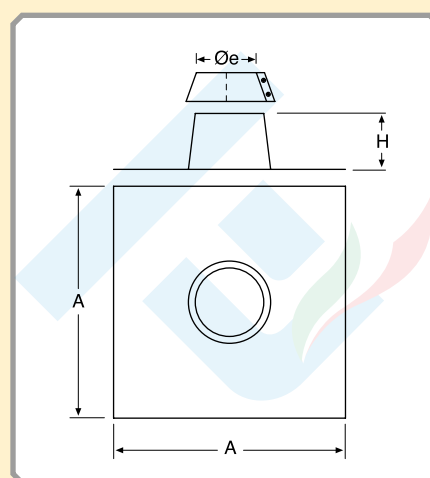
Øi	COD.	H
100	3605313L100	10
110	3605313L110	10
130	3605313L130	10
150	3605313L150	10
180	3605313L180	10
200	3605313L200	10
230	3605313L230	10
250	3605313L250	10

*



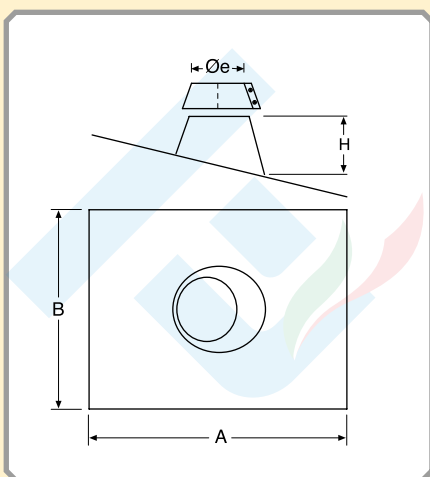
Faldale piano con fascetta anti intemperie.

Flat flashing with storm collar.



Øi	Øe	COD.	A	H
100	150	*	500	150
110	180	*	500	170
130	200	*	600	180
150	230	*	600	210
180	250	*	600	210
200	300	*	600	230
230	350	*	680	230
250	400	*	700	200

*

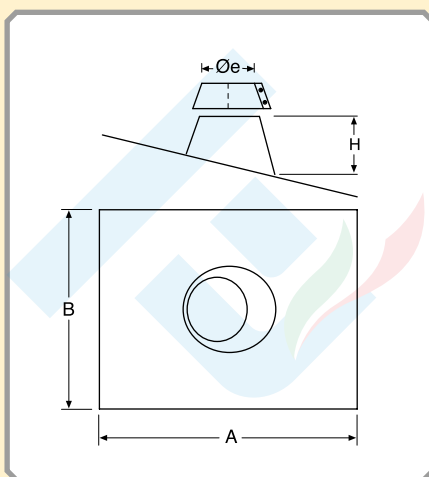


Faldale regolabile da 5° a 30° con base in piombo e fascetta anti intemperie.

Adjustable flashing from 5° to 30° with lead base and storm collar.

Øi	Øe	COD.	A	B	H
100	150	*	600	600	150
110	180	*	800	800	170
130	200	*	800	800	180
150	230	*	800	800	210
180	250	*	800	800	210
200	300	*	800	800	230
230	350	*	1000	800	230
250	400	*	1000	1000	200

*

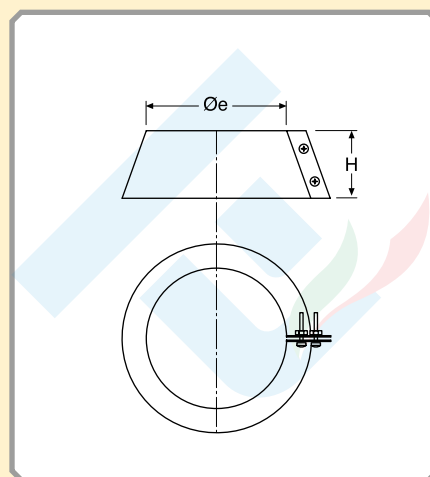


Faldale regolabile da 30° a 45° con base in piombo e fascetta anti intemperie.

Adjustable flashing from 30° to 45° with lead base and storm collar.

Øi	Øe	COD.	A	B	H
100	150	*	800	800	150
110	180	*	800	800	170
130	200	*	800	800	180
150	230	*	1000	800	210
180	250	*	1000	800	210
200	300	*	1000	800	230
230	350	*	1000	1000	250
250	400	*	1000	1000	250

360512B...



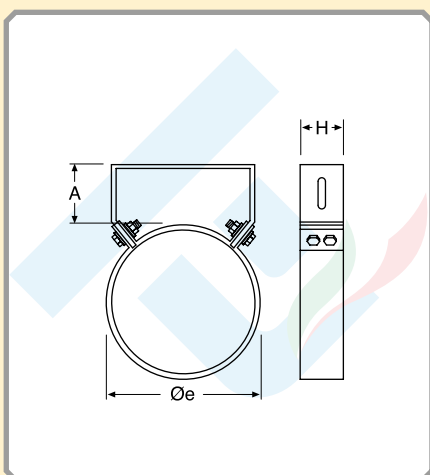
Fascetta anti intemperie.

Storm collar.

Øi	Øe	COD.	H
100	150	360512B100	100
110	180	360512B110	100
130	200	360512B130	100
150	230	360512B150	100
180	250	360512B180	100
200	300	360512B200	100
230	350	360512B230	100
250	400	360512B250	100

SISTEMA COASSIALE - COAXIAL SYSTEM AISI 316L

360513...

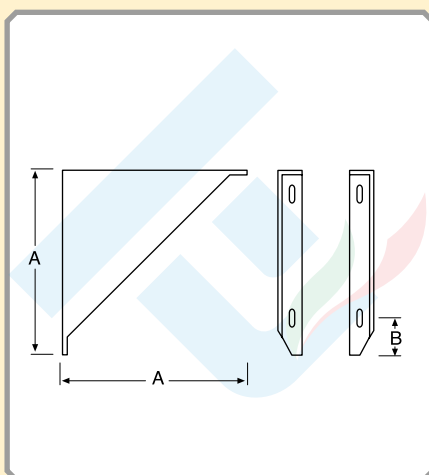


Collare a muro regolabile.

Adjustable wall bracket.

Øi	Øe	COD.	A	H
100	150	360513100	50-100	40
110	180	360513110	50-100	40
130	200	360513130	50-100	40
150	230	360513150	50-100	40
180	250	360513180	50-100	40
200	300	360513200	50-100	40
230	350	360513230	50-100	40
250	400	360513250	50-100	100

360517...

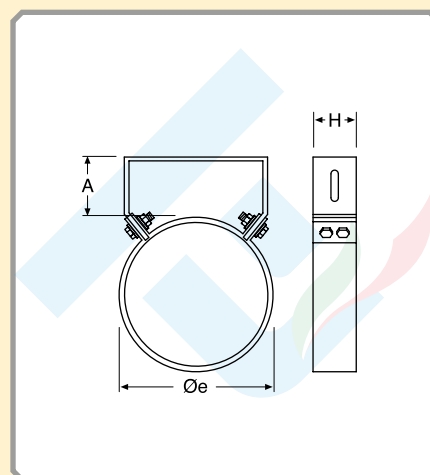


Coppia di supporti per piastra.

Cantilever brackets (pair).

Øi	Øe	COD.	A	B
100	150	360517100	250	32
110	180	360517110	280	32
130	200	360517130	300	32
150	230	360517150	330	32
180	250	360517180	350	32
200	300	360517200	400	32
230	350	360517230	450	32
250	400	360517230	500	32

*

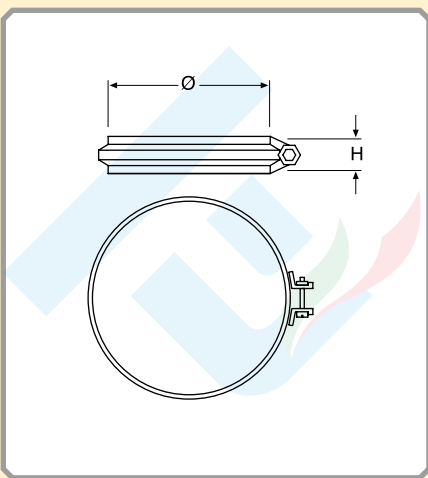


Collare a muro regolabile 50-100 mm rinforzato.

Adjustable wall bracket 50-100 mm reinforced.

Øi	Øe	COD.	A	H
100	150	*	50-100	40
110	180	*	50-100	40
130	200	*	50-100	40
150	230	*	50-100	40
180	250	*	50-100	40
200	300	*	50-100	40
230	350	*	50-100	40
250	400	*	50-100	100

360519...



Fascetta di sicurezza.

Locking band.

Øi	Øe	COD.	H
100	150	360519150	20
110	180	360519180	20
130	200	360519200	20
150	230	360519230	20
180	250	360519250	20
200	300	360519300	20
230	350	360519350	20
250	400	360519400	20

*



Lubrificante per guarnizione.

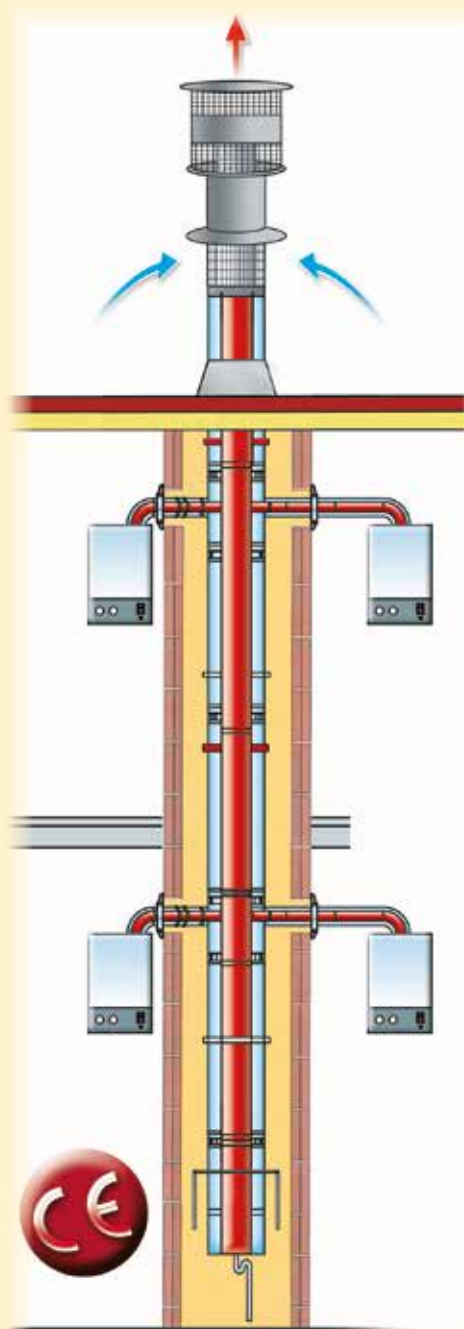
Lubricant for seal.

COD.
*

A RICHIESTA - ON REQUEST

KIT CLVp 3CEp

DN 110180 - DN 130200 - DN 150230

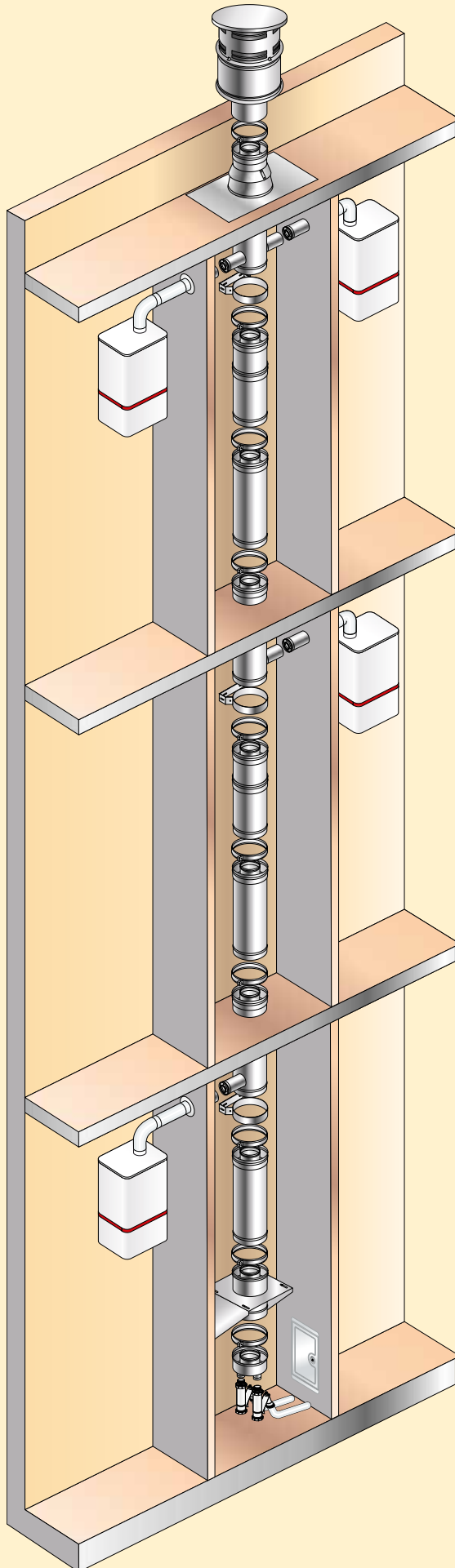


*			
KIT TETTO	ROOF KIT	COD.	PCS
Terminale	Terminal	*	1
Tubo conc. 1 m	Conc. pipe 1 m	*	1
Faldale piano con fascetta anti intemperie	Flat flashing with storm collar	*	1

*			
KIT TETTO "B"	ROOF "B" KIT	COD.	PCS
Terminale	Terminal	*	1
Tubo conc. 1 m	Conc. pipe 1 m	*	1
Fascetta anti intemperie	Storm collar	*	1

*			
KIT INTERPIANO	FLOOR KIT	COD.	PCS
T 93° h 940 mm uscita 80125	93° tee h 940 mm outlet 80125	*	1
Elem. telescopico 750-1200 mm	Adjustable pipe 750-1200 mm	*	1
Tubo conc. 1 m	Conc. pipe 1 m	*	1
Collare a muro regolabile	Adjustable wall bracket	*	1

*			
KIT DI PARTENZA	STARTING KIT	COD.	PCS
T 93° h 940 mm uscita 80125	93° tee h 940 mm outlet 80125	*	1
Piastra intermedia	Intermediate anchor plate	*	1
Coppia supporti	Cantilever brackets	*	1
Scarico condensa	Tee cap with condense drain	*	1
Sifone	Siphon	*	1



CLVP1...
CLVP05...
CLVP02...



CLVPEV1...
CLVPEV2...
CLVPEV3...



CLVPG45...



CLVPP1...



CLVPCX1...



CLVPCX490...
CLVPCX390...



CLVPCX18...
CLVPCX318...



CLVPCX3...



CLVPR061...
CLVPR081...



CLVPR06901...
CLVPR08901...



CLVPR06181...
CLVPR08181...



CLVPTDE...



CLVPSC2...



CLVPSIFONE



BFL316FPSSF...



BFL316FP55F...



BFL316FP53S...



L316EXCS...



L316EXCOLSS10...



L316EX3LGN...



L316EXFACSS...



LUBGN